



LARQ

Information for use

LARQ Essential, LARQ iQ / LARQ iQ Cap,
LARQ Filter / LARQ Filter Upgrade Kit



Table of contents

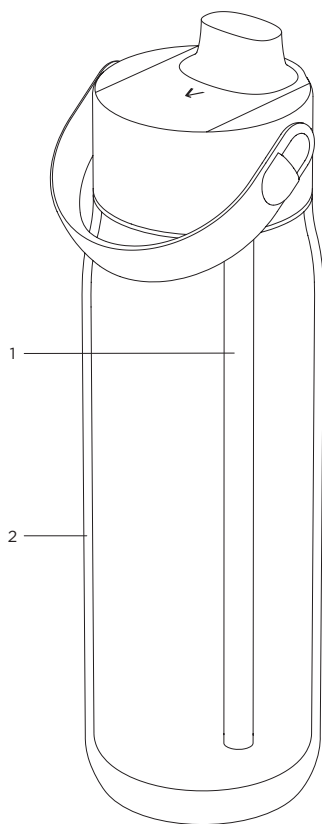
LARQ Essential _____	1
LARQ iQ / LARQ iQ Cap _____	4
LARQ Filter / LARQ Filter Upgrade Kit _____	15

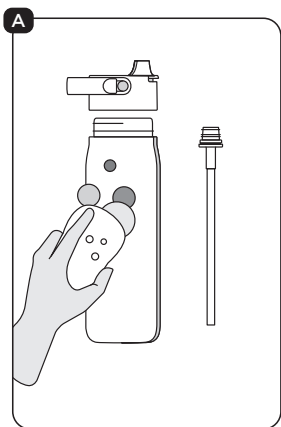
LARQ Essential

EN

1 - Straw

2 - Double-walled insulated
stainless steel





IMPORTANT SAFETY INFORMATION

Read all product instructions and safety information in these operating instructions carefully before use and follow the instructions during use. Improper use can lead to injuries.

IMPORTANT - The product is not suitable for use by children. The product contains small components that can be dangerous for children and especially for children under 3 years of age. Keep the product out of the reach of children.

Clean the outside of the product with a clean, damp cloth. Never use strong cleaning sprays or liquids or similar chemicals.

Do not expose the product to temperatures below freezing or above 32 °C outside temperature.

A CLEANING BEFORE FIRST USE

Clean the bottle, lid and straw (including adapter) with a mild cleaning agent. All components are dishwasher safe.

⚠ FILLING

Do not use hot water.

Only use tap water of drinking water quality without sediment.

Do not use carbonated water.

CARE

Regularly clean the bottle, lid and straw (including adapter) with a mild cleaning agent or in the dishwasher.

DISPOSAL

Please dispose of the LARQ Essential responsibly in accordance with local regulations.

IMPORTANT NOTE

The LARQ Essential may only be used with municipally treated cold tap water provided by your local water authority. This water is constantly monitored and is safe to drink in accordance with legal regulations. Do not use with water of unknown quality. Depending on the water source, it may be advisable to take additional precautions when using LARQ Essential to ensure the safety of the water. Once the instructions on boiling water no longer apply, please clean the LARQ Essential thoroughly. Boiling tap water is generally recommended for babies and people with a weak immune system. Water is a foodstuff intended for human consumption. You should therefore use up the water in your bottle within a day. If you do not use the LARQ Essential for an extended period of time, unscrew the bottle and store the individual parts in a dry place.

Liability disclaimer

Use of the product is at your own risk. You are deemed to be using the product voluntarily and with full knowledge that there are inherent and/or associated risks, and that you assume and accept all risks that may be associated with or arise from possession or use of the product.

Do you have any questions?

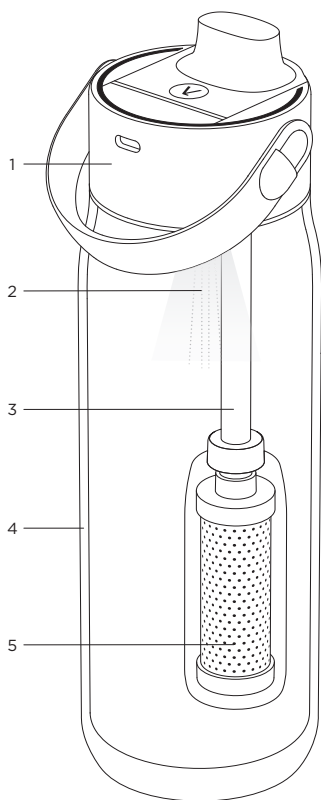
Then visit us on www.brita.net



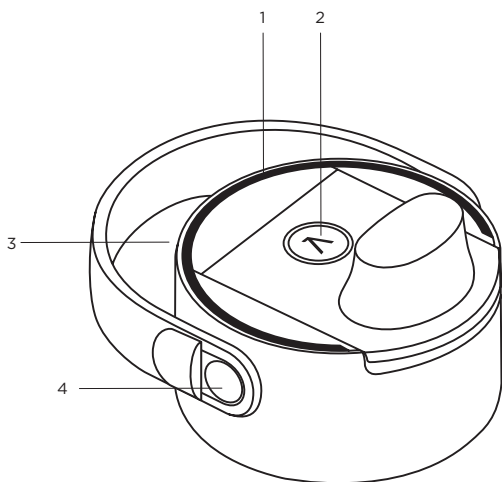
LARQ iQ

EN

- 1 - Lid
- 2 - PureVis UV-C LED
- 3 - Straw
- 4 - Stainless-steel bottle,
double-walled, insulated
- 5 - Filter casing with LARQ Filter

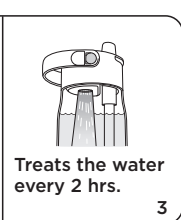
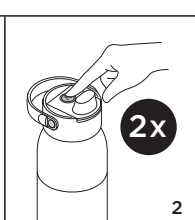
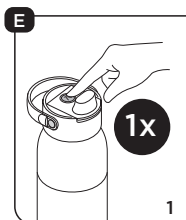
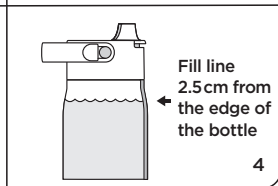
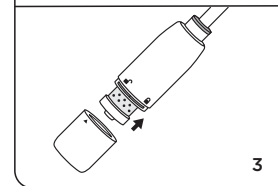
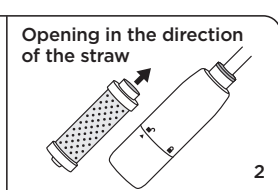
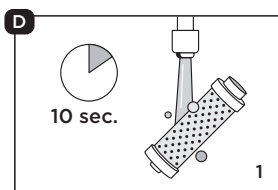
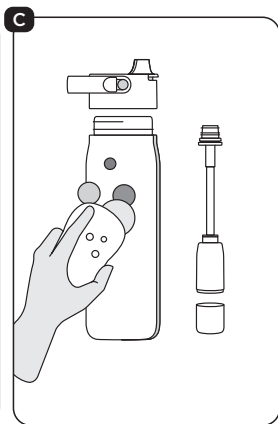
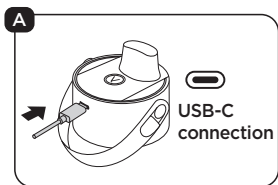


LARQ iQ Cap



EN

- 1 - Smart tracking technology
- 2 - PureVis UV-C LED
- 3 - USB-C connection
- 4 - Handle lock



IMPORTANT SAFETY INFORMATION

Read all product instructions and safety information in these operating instructions carefully before use and follow the instructions during use. Improper use can lead to injuries.

IMPORTANT - The product is not suitable for use by children. The product contains small components that can be dangerous for children and especially for children under 3 years of age. Keep the product, in particular the electronic lid with the UV-C light assembly and battery out of the reach of children.

DANGER - Ultraviolet radiation. Never look directly into the light. Direct ultraviolet light can cause irritation to the eyes and skin and can be potentially harmful.

The LARQ iQ Cap may only be used with the LARQ iQ or LARQ Essential bottle, the UV-C light has only been tested in combination with the LARQ iQ and LARQ Essential bottles. BRITA cannot guarantee the effectiveness of the application if the LARQ iQ Cap is used with an alternative bottle system that has not been tested.

WARNING! The product contains an RG-3 UV LED that emits UV radiation. Avoid contact with eyes and skin if the lamp is not shielded. Risk of skin or eye injuries.

Caution! Switch off the UV light before opening! The UV light must not be switched on if the lid is not screwed onto the bottle.

The LARQ iQ Cap must not be opened, manipulated or modified. If the bottle or one of the components does not function as expected or is faulty, stop using it immediately. The device must not be repaired without authorisation. In particular, the UV LED may only be repaired by a qualified expert.

The LARQ iQ Cap with UV-C light is an electrical device. Do not open, expose, modify or touch internal circuits as this can result in electric shock.

Removing or tampering with the electronic circuit board of the UV-C light assembly can result in injury to persons or damage to the product and will void all warranties.

To avoid danger or electric shock, store this product away from rain and liquids. Do not use the charger near water, for example, near a bathtub, washbasin, kitchen sink, laundry tub or swimming pool.

Clean the outside of the product with a clean, damp cloth. Never use strong cleaning sprays or liquids or similar chemicals.

When cleaning the LARQ iQ Cap, make sure that the USB-C port on the lid is covered by your hand so that no water can penetrate during cleaning.

When charging, connect the adapter only as described in the instructions for use. Only adults should charge the battery. Do not charge the device with a USB cable other than the USB cable supplied with your LARQ iQ.

CAUTION! The device can overheat if the charging voltage is too high (above 5 V). There is a danger of fire and burns in case of contact with the skin. Disconnect the device from the power supply, allow it to cool down in a controlled manner and dispose of it properly.

CAUTION! Do not remove the lid while the UV-C light cycle is running. If the lid is removed during a cleaning cycle without first cancelling the cleaning cycle, the LARQ iQ activates a safety mode. In safety mode, the UV LED light switches to an operating state in which it is safe for humans for the remainder of the cycle.

To cancel a cleaning cycle, first press the button on top of the lid and then carefully remove the lid.

Do not use the LARQ iQ Cap as a light source.

Do not expose the product to temperatures below freezing or above 32 °C outside temperature.

Do not operate the LARQ iQ Cap in containers such as laboratory beakers.

The UV-C light of the LARQ iQ Cap is not intended to disinfect water on the rim or outer surfaces of the bottle or cap which the light cannot reach. It is not intended to disinfect the outer surfaces of a drinking container, including the surfaces that typically are in contact with the mouth during drinking. Make sure that the bottle and lid have been properly cleaned before use.

Like with any water treatment system, you should always have an alternative method of water treatment.

Avoid contact of UV-C radiation with the eyes and skin and ensure that it does not impact on people or animals. Do not operate the device if the LARQ iQ Cap or the UV-C light assembly is cracked, chipped or damaged. Please contact BRITA for further information on compliant disposal or returning. Although carefully controlled microbiological tests have been carried out, the use of the LARQ iQ Cap's UV-C light by consumers on site may lead to results that deviate from the laboratory test data.

DECLARATION OF CONFORMITY

BRITA SE hereby declares the radio emitter type BRITA LARQ iQ complies with Directive 2014 / 53 / EU. The full text of the EU Declaration of Conformity is available on request.

TECHNICAL DATA

Model	680 ml	1000 ml
Dimensions (mm)	Ø 74.5 x 254	Ø 83 x 288
Weight (g)	376	439
Model	iQ Cap	
Radio	Frequency band	2.4 GHz (2402 - 2480 MHz)
	Max. RF transmit output power (RF Tx)	-0.48 mW (-3.23 dBm)
	Reference values	0.475 mW (-3.23 dBm) @ 2402 MHz 0.411 mW (-3.86 dBm) @ 2480 MHz
	EIRP (EU max. limit)	< 10 dBm
Safety	Protection class	III
Battery	Manufacturer	HuNan Grand-Pro Tech Co., Ltd.
	Address	Intersection of Shihu Ave and Linjing 2 nd Rd, Suxian District, 423000 Chenzhou, Hunan, PEOPLE'S REPUBLIC OF CHINA
	Web	grand-pro.com
	Email	grand-pro@grand-pro.com
	Type	Rechargeable Lithium-ion Battery Pack
	Model	PL902037 (1ICP9/21/38)
	Voltage	3.7 V DC
	Capacity (rated)	700 mAh
	Energy	2.59 Wh
	Weight (approx.)	13 g
	Chemistry	LiCoO ₂ , Graphite, LiPF ₆
	Factory	Besides Chenzhou Great Housing Industry Co., Ltd. (ID: 089687)
	Address	Intersection of Shihu Ave and Linjing 2 nd Rd, Suxian District, 423000 Chenzhou, Hunan, PEOPLE'S REPUBLIC OF CHINA
	Manufacturing date	see battery marking plate (YYYYMMDD)
	Batch number	see battery marking plate (YYYYMMDD)
	Hazard substances other than Hg/Cd/Pb	not applicable
	Usable extinguishing agent	Carbon dioxide (CO ₂) or dry chemical fire extinguisher
	Critical raw materials >0,1 %(w/w)	not applicable

BEFORE FIRST USE

A Charging the bottle

Connect the included USB-C charging cable. Caution: Use only USB power supplies with 5V output voltage. Once the lid lights up, the BRITA LARQ iQ bottle is ready for use. The rechargeable battery is fully charged when the green light lights up continuously.

B Download the BRITA app

Follow the instructions in the app and set up your personal drinking profile.

C Cleaning & hygiene

Clean the bottle, lid and straw (including adapter) with a mild cleaning agent. When cleaning the LARQ iQ Cap, make sure that the USB-C port on the lid is covered by your hand so that no water can penetrate during cleaning.

The lid is not dishwasher safe.

D COMMISSIONING THE FILTER

- 1 Hold the filter under cold, running water for 10 seconds.
- 2 Insert the filter into the housing with the opening pointing to the straw.
- 3 Close and tighten the housing lower section, use the adapter to fasten the straw on the lid.
- 4 Observe the maximum water filling level to ensure optimum functionality. The bottle is not suitable for use with hot water.

⚠ FILLING

Do not use hot water.

Only use tap water of drinking water quality without sediment.

Do not use carbonated water.

Measuring the liquid intake

To be able to determine the liquid intake accurately, place the closed bottle with the lid in place on a flat surface after drinking or refilling. A white light lights up within 5 seconds after the amount of water has been measured.

SETTINGS

E PureVis UV-C mode

- 1 Press the λ once: Normal mode (pulsing blue light).
- 2 Press the λ button twice: Powerful cleaning (flashing blue light).
- 3 The UV-C light automatically starts self-cleaning mode every two hours.

HYDRATION

Hydration tracking - pulsing white light.

Drink reminder - flashing white light.

Hydration tracking works best if you place the bottle on a flat surface after drinking or filling.

A white light lights up within 5 seconds after the amount of water has been measured.

Battery status

Battery charge low - green light flashes twice before each PureVis UV-C mode.

Charging - pulsing green light.

Fully charged - green permanently lit.

Error message

Lid is not screwed on - orange permanently lit.

The water is too hot - pulsing orange light.

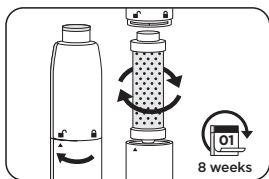
Battery problem - pulsing violet light.

Major problem - pulsing red light. Please contact BRITA Customer Service.

CARE AND MAINTENANCE

Filter change

A filter can filter up to 150 litres of water. We recommend replacing the filter at least every 8 weeks. Used filters can be disposed of as domestic waste.



Cleaning

Clean the bottle, lid and straw (including adapter) weekly with a mild cleaning agent. Rinse the bottle with warm soapy water at least once a month.

The cover and filter are not dishwasher safe.



DISPOSAL

The “crossed-out refuse bin” symbol indicates separate disposal of end-of-life electrical and electronic devices (WEEE). Electrical and electronic devices can contain valuable, but dangerous and environmentally hazardous substances. The LARQ iQ Cap contains a rechargeable lithium-polymer battery. Do not dispose of the LARQ iQ Cap as domestic waste. There is a collection system for electrical scrap and devices such as the LARQ iQ Cap. Observe all applicable regulations and legal requirements for the disposal of electronic components and take the lid to the designated collection point for electronic products. Compliant disposal ensures that electronic waste and devices are correctly recycled and reused. Please dispose of the LARQ iQ / LARQ iQ Cap and the LARQ filter responsibly in line with local regulations. Make sure that the LARQ Filter is undamaged.

IMPORTANT NOTES

The LARQ iQ/LARQ iQ Cap may only be used with municipally treated cold tap water provided by your local water authority. This water is constantly monitored and is safe to drink in accordance with legal regulations. Do not use with water of unknown quality. Depending on the water source, it may be advisable to take additional precautions when using the LARQ iQ / LARQ iQ Cap to ensure the safety of the water. If the authorities have notified the public that tap water must be boiled, then the water optimised with LARQ iQ / LARQ iQ Cap must also be boiled. Once the instructions on boiling water no longer apply, please clean the LARQ iQ / LARQ iQ Cap thoroughly and insert a new LARQ Filter. Boiling tap water is generally recommended for babies and people with a weak immune system. Water is a foodstuff intended for human consumption.

You should therefore use up the water in your bottle within a day. If you do will not be using the LARQ iQ / LARQ iQ Cap for an extended period of time, unscrew the bottle and store the individual parts in a dry place.

Always store spare filters in a cool and dry place in a firmly sealed container. The filter is a natural product; this can mean slight traces of small carbon particles both in the packaging and in the filtered water. These particles will not affect your health and are not dangerous if swallowed. If you discover carbon particles in your filtered water, we recommend rinsing the filter thoroughly from all sides.

Filtering initially causes a slight increase in the potassium content of the water. This is harmless (for example, 1 litre of BRITA filtered water contains less potassium than an apple). If you suffer from a kidney disease and/or have to follow a special potassium diet, please discuss the use of a BRITA water filter with your doctor in advance.

Liability waiver

Use of the product is at your own risk. You are deemed to be using the product voluntarily and with full knowledge that there are inherent and/or associated risks, and that you assume and accept all risks that may be associated with or arise from possession or use of the product.

Do you have any questions?

Then visit us on www.brita.net

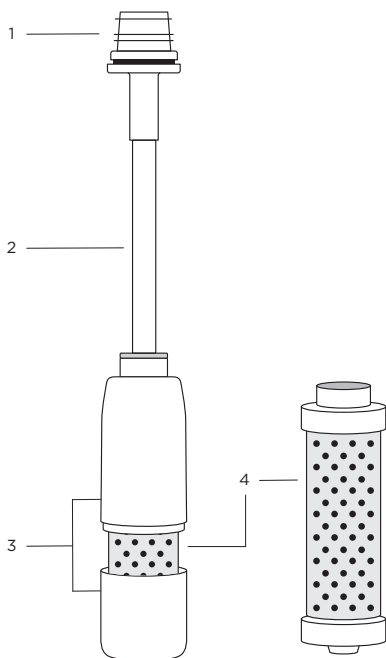


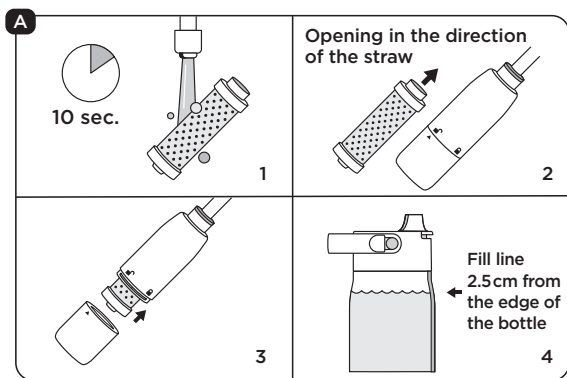
USB-C 5V=700mAh
IPX7

LARQ Filter / LARQ Filter Upgrade Kit

EN

- 1 - Adapter
- 2 - Straw
- 3 - Filter casing
- 4 - LARQ Filter





IMPORTANT SAFETY INFORMATION

Read all product instructions and safety information in these operating instructions carefully before use and follow the instructions during use. Unintended use can lead to injuries.

IMPORTANT - The product is not suitable for use by children. The product contains small components that can be dangerous for children and especially for children under 3 years of age. Keep the product out of the reach of children.

Clean the outside of the product with a clean, damp cloth. Never use strong cleaning sprays or liquids or similar chemicals.

Do not expose the product to temperatures below freezing or above 32 °C outside temperature.

Like with any water treatment system, you should always have an alternative method of water treatment.

CLEANING BEFORE FIRST USE

Clean the straw (including adapter) with a mild cleaning agent. The components of the filter upgrade kit (with the exception of the filter) are dishwasher safe.

A COMMISSIONING THE FILTER

- 1 Hold the filter under cold, running water for 10 seconds.
- 2 Insert the filter into the housing with the opening pointing to the straw.
- 3 Close and tighten the housing lower section, use the adapter to fasten the straw on the lid.
- 4 Observe the maximum water filling level to ensure optimum functionality. The bottle is not suitable for use with hot water.

⚠ FILLING

Do not use hot water.

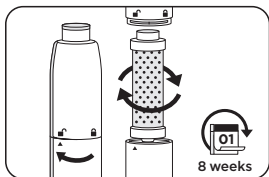
Only use tap water of drinking water quality without sediment.

Do not use carbonated water.

CARE AND MAINTENANCE

Filter change

A filter can filter up to 150 litres of water. We recommend replacing the filter at least every 8 weeks. Used filters can be disposed of as domestic waste.



Cleaning

Clean the straw (including adapter) with a mild cleaning agent.

The components of the filter upgrade kit (with the exception of the filter) are dishwasher safe.

DISPOSAL

Please dispose of the LARQ Filter responsibly in accordance with local regulations. Make sure that the LARQ Filter is undamaged.

IMPORTANT NOTES

The LARQ Filter may only be used with municipally treated cold tap water provided by your local water authority. This water is constantly monitored and is safe to drink in accordance with legal regulations. Do not use with water of unknown quality. Depending on the water source, it may be advisable to take additional precautions when using the LARQ Filter to ensure the safety of the water. If the authorities have notified the public that tap water must be boiled, then the water optimised with LARQ Filter must also be boiled.

Once the instructions on boiling water no longer apply, please clean the LARQ bottle thoroughly and fit a new LARQ Filter. Boiling tap water is generally recommended for babies and people with a weak immune system. Water is a foodstuff intended for human consumption.

You should therefore use up the water in your bottle within a day. If you do will not be using the LARQ bottle for an extended period of time, unscrew the bottle and store the individual parts in a dry place.

Always store spare filters in a cool and dry place in a firmly sealed container. The filter is a natural product; this can mean slight traces of small carbon particles both in the packaging and in the filtered water. These particles will not affect your health and are not dangerous if swallowed. If you discover carbon particles in your filtered water, we recommend rinsing the filter thoroughly from all sides.

Filtering initially causes a slight increase in the potassium content of the water. This is harmless (for example, 1 litre of BRITA filtered water contains less potassium than an apple). If you suffer from a kidney disease and/or have to follow a special potassium diet, please discuss the use of a BRITA water filter with your doctor in advance.

Liability disclaimer

Use of the product is at your own risk. You are deemed to be using the product voluntarily and with full knowledge that there are inherent and/or associated risks, and that you assume and accept all risks that may be associated with or arise from possession or use of the product.

Do you have any questions?

Then visit us on www.brita.net



Manufacturer: BRITA SE, Heinz-Hankammer-Straße 1, D-65232 Taunusstein, Germany,
Tel.: +49 800 500 19 19, www.brita.net

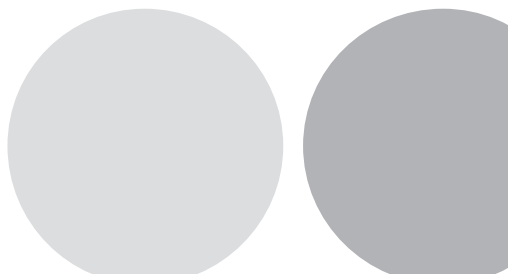
Distributor: BRITA Water Filter Systems Ltd., BRITA House, 9 Granville Way, Bicester,
Oxfordshire, OX26 4JT, UK



LARQ

Gebrauchsanleitung

LARQ Essential, LARQ iQ / LARQ iQ Cap,
LARQ Filter / LARQ Filter Upgrade Kit





Inhaltsverzeichnis

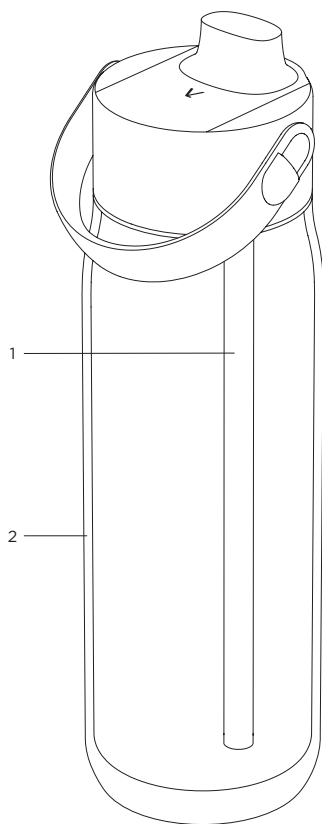
LARQ Essential _____	23
LARQ iQ / LARQ iQ Cap _____	26
LARQ Filter / LARQ Filter Upgrade Kit _____	37

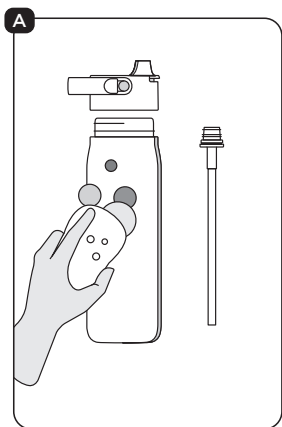
LARQ Essential

DE

1 - Strohhalm

2 - Doppelwandig isolierter
Edelstahl





WICHTIGE SICHERHEITSHINWEISE

Lies alle Produktanweisungen und Sicherheitshinweise dieser Bedienungsanleitung vor Gebrauch aufmerksam durch und halte die Anweisungen bei Nutzung ein. Unsachgemäße Nutzung kann zu Verletzungen führen.

WICHTIG - Das Produkt ist nicht für die Nutzung durch Kinder geeignet. Das Produkt enthält kleine Komponenten, die für Kinder und insbesondere für Kinder unter 3 Jahren gefährlich sein können. Das Produkt außerhalb der Reichweite von Kindern aufbewahren.

Reinige die Außenseite des Produkts mit einem sauberen, feuchten Tuch. Verwende niemals starke Reinigungssprays oder -flüssigkeiten oder ähnliche Chemikalien.

Setze das Produkt nicht Temperaturen unter dem Gefrierpunkt oder über 32 °C Außentemperatur aus.

A REINIGUNG VOR DEM ERSTEN GEBRAUCH

Reinige Flasche, Deckel und Strohhalm (inklusive Adapter) mit mildem Reinigungsmittel. Alle Komponenten sind spülmaschinengeeignet.

⚠ EINFÜLLEN

Kein heißes Wasser verwenden.

Nur Leitungswasser in Trinkwasserqualität ohne Sedimente verwenden.

Kein kohlenensäurehaltiges Wasser verwenden.

PFLEGE

Reinige die Flasche, den Deckel und Strohhalm (inklusive Adapter) regelmäßig mit mildem Reinigungsmittel oder in der Spülmaschine.

ENTSORGUNG

Bitte entsorge die LARQ Essential verantwortungsbewusst gemäß den lokalen Richtlinien.

WICHTIGE ANMERKUNG

Die LARQ Essential darf nur mit kommunal aufbereitetem kaltem Leitungswasser verwendet werden, das von deiner örtlichen Wasserbehörde bereitgestellt wird. Dieses Wasser wird ständig kontrolliert und ist gemäß den gesetzlichen Vorschriften sicher zum Trinken geeignet. Nicht mit Wasser unbekannter Qualität verwenden. Abhängig von der Wasserquelle kann es ratsam sein, bei der Verwendung von LARQ Essential zusätzliche Vorsichtsmaßnahmen zu ergreifen, um die Sicherheit des Wassers zu gewährleisten. Wenn die Anordnung zum Abkochen des Wassers nicht mehr gilt, bitte die LARQ Essential gründlich reinigen. Bei geschwächter Immunität und bei Babys wird allgemein empfohlen Leitungswasser abzukochen. Wasser ist ein Lebensmittel, das für den menschlichen Verzehr bestimmt ist. Daher solltest du das Wasser in deiner Flasche innerhalb eines Tages aufbrauchen. Wenn du die LARQ Essential längere Zeit nicht verwendest, schraube die Flasche auseinander und bewahre die Einzelteile trocken auf.

Haftungsausschluss

Die Nutzung des Produkts erfolgt auf dein eigenes Risiko. Es wird davon ausgegangen, dass du das Produkt freiwillig und in dem vollen Wissen nutzt, dass damit inhärente und/oder damit einhergehende Risiken verbunden sind, und dass du alle Risiken übernimmst und akzeptierst, die mit dem Besitz oder der Verwendung des Produkts verbunden sein können oder daraus entstehen.

Hast du noch Fragen?

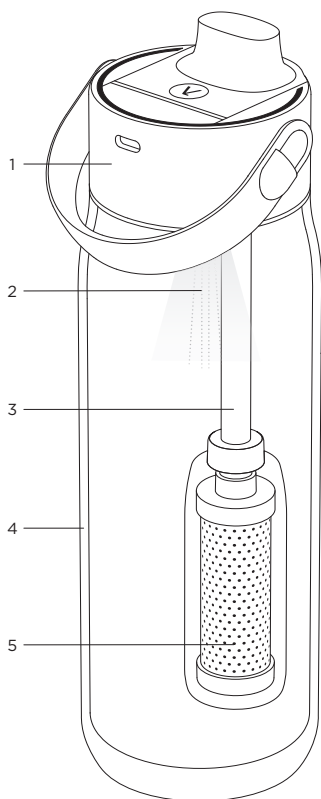
Dann besuche uns unter www.brita.net



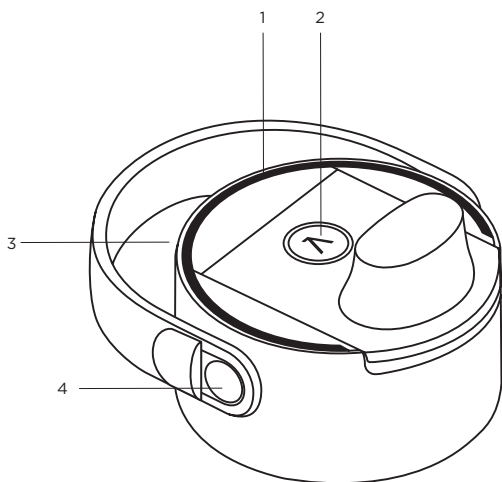
LARQ iQ

DE

- 1 - Deckel
- 2 - PureVis UV-C LED
- 3 - Strohhalm
- 4 - Edelstahl-Flasche, doppelwandig
isoliert
- 5 - Filtergehäuse mit LARQ Filter

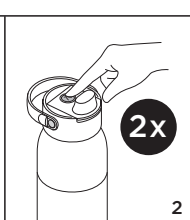
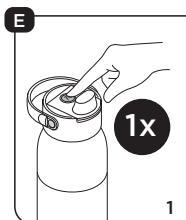
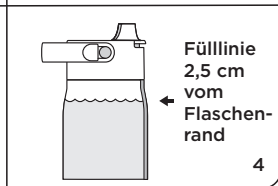
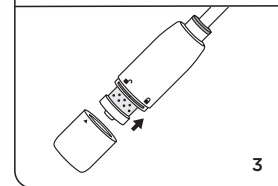
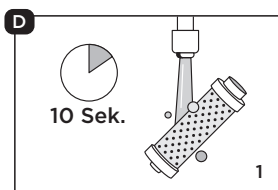
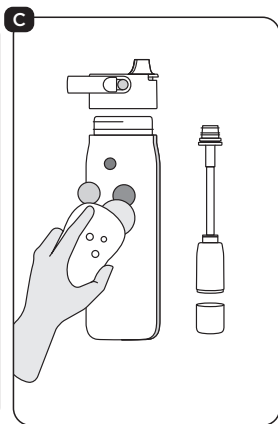
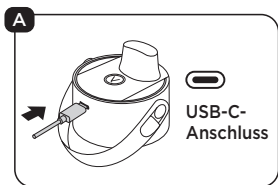


LARQ iQ Cap



DE

- 1 - Smarte Tracking-Technologie
- 2 - PureVis UV-C LED
- 3 - USB-C-Anschluss
- 4 - Griff-Verriegelung



WICHTIGE SICHERHEITSHINWEISE

Lies alle Produktanweisungen und Sicherheitshinweise dieser Bedienungsanleitung vor Gebrauch aufmerksam durch und halte die Anweisungen bei Nutzung ein. Unsachgemäße Nutzung kann zu Verletzungen führen.

WICHTIG - Das Produkt ist nicht für die Nutzung durch Kinder geeignet. Das Produkt enthält kleine Komponenten, die für Kinder und insbesondere für Kinder unter 3 Jahren gefährlich sein können. Produkt, insbesondere den elektronischen Deckel mit UV-C-Lichtbaugruppe und Batterie, außerhalb der Reichweite von Kindern aufbewahren.

GEFAHR - Ultraviolette Strahlung. Niemals direkt in das Licht schauen. Direktes ultraviolettes Licht kann zu Irritationen der Augen und Haut führen und potentiell schädlich sein.

Die LARQ iQ Cap darf ausschließlich mit der LARQ iQ oder LARQ Essential Flasche verwendet werden, das UV-C Licht wurde nur in Kombination mit den LARQ iQ und LARQ Essential Flaschen getestet. BRITA kann nicht die Effektivität der Anwendung garantieren, sollte die LARQ iQ Cap mit einem alternativen Flaschensystem verwendet werden, welches nicht getestet wurde.

WARNUNG! Das Produkt enthält eine RG-3 UV-LED, die UV-Strahlung abgibt. Kontakt mit Augen und Haut bei nicht abgeschirmter Lampe vermeiden. Es könnte zu Haut- oder Augenverletzungen kommen.

Vorsicht! Das UV-Licht vor dem Öffnen ausschalten! Das UV-Licht darf nicht eingeschaltet werden, wenn der Deckel nicht mit der Flasche verschraubt ist.

Die LARQ iQ Cap darf nicht geöffnet, manipuliert oder verändert werden. Sollte die Flasche oder eine der Komponenten nicht wie erwartet funktionieren oder fehlerhaft sein, muss die Benutzung umgehend beendet werden. Das Gerät darf nicht eigenständig repariert werden. Insbesondere die UV-LED darf nur von befähigten Fachleuten repariert werden.

Die LARQ iQ Cap mit UV-C-Licht ist ein elektrisches Gerät. Interne Schaltkreise nicht öffnen, freilegen, modifizieren oder berühren, da dies zu einem Stromschlag führen kann.

Das Entfernen oder Manipulieren der elektronischen Leiterplatte der UV-C-Lichtbaugruppe kann zu Personenschäden oder Schäden am Produkt führen und führt zum Erlöschen aller Garantien.

Um Gefahren oder Stromschläge zu vermeiden, bewahre dieses Produkt geschützt vor Regen und Flüssigkeiten auf. Benutze das Ladegerät nicht in der Nähe von Wasser, zum Beispiel in der Nähe einer Badewanne, eines Waschbeckens, einer Küchenspüle, einer Wäschewanne oder eines Schwimmbeckens.

Reinige die Außenseite des Produkts mit einem sauberen, feuchten Tuch. Verwende niemals starke Reinigungssprays oder -flüssigkeiten oder ähnliche Chemikalien.

Achte bei der Reinigung der LARQ iQ Cap darauf, dass der USB-C-Anschluss am Deckel mit der Hand abgedeckt wird, damit beim Reinigen kein Wasser eindringen kann.

Schließe den Adapter beim Aufladen nur wie in der Gebrauchsanweisung beschrieben an. Das Aufladen des Akkus sollte von einem Erwachsenen durchgeführt werden. Lade das Gerät nicht mit einem anderen USB-Kabel als dem mit deiner LARQ iQ gelieferten USB-Kabel auf.

ACHTUNG! Bei zu hoher Ladespannung von mehr als 5 V kann das Gerät überhitzen. Es besteht Brandgefahr und bei Hautkontakt die Gefahr von Verbrennungen. Gerät von der Stromversorgung trennen, kontrolliert auskühlen lassen und fachgerecht entsorgen.

VORSICHT! Entferne nicht den Deckel, während der UV-C Licht-Zyklus läuft. Wenn der Deckel während eines Reinigungszyklus entfernt wird, ohne diesen vorher abubrechen, aktiviert die LARQ iQ einen Sicherheitsmodus. Im Sicherheitsmodus wird das UV-LED-Licht für den Rest des Zyklus in einen Betriebszustand geschaltet, in dem es für den Menschen keine Gefahr darstellt.

Um einen Reinigungszyklus abubrechen, drücke zuerst den Knopf oben auf dem Deckel und entferne dann vorsichtig den Deckel.

Benutze die LARQ iQ Cap nicht als Lichtquelle.

Setze das Produkt nicht Temperaturen unter dem Gefrierpunkt oder über 32 °C Außentemperatur aus.

Betriebe die LARQ iQ Cap nicht in Behältern wie beispielsweise Laborgefäßen.

Das UV-C-Licht der LARQ iQ Cap ist nicht dazu gedacht, Wasser am Rand oder an den Außenflächen der Flasche oder des Deckels zu desinfizieren, wo das Licht nicht hinkommt. Es ist nicht dazu gedacht, die Außenflächen eines Trinkbehälters zu desinfizieren, auch solche, die beim Trinken typischerweise mit dem Mund in Kontakt kommen. Stelle sicher, dass die Flasche und der Deckel vor der Verwendung ordnungsgemäß gereinigt wurden.

Wie bei jedem Wasseraufbereitungssystem solltest du immer über eine alternative Methode der Wasseraufbereitung verfügen. Vermeide den Kontakt der UV-C-Strahlung mit Augen und Haut und stelle sicher, dass sie weder Menschen noch Tiere erreicht. Wenn die LARQ iQ Cap oder die UV-C-Lichtbaugruppe Risse, Absplitterungen oder Beschädigungen aufweist, nimm das Gerät nicht in Betrieb. Für weitere Informationen zur ordnungsgemäßen Entsorgung oder zur Rücksendung wende dich an BRITA. Obwohl sorgfältig kontrollierte mikrobiologische Tests durchgeführt wurden, kann die Verwendung des UV-C-Lichts der LARQ iQ Cap durch Verbraucher vor Ort zu Ergebnissen führen, die von den Labortestdaten abweichen.

KONFORMITÄTSERKLÄRUNG

Hiermit erklärt BRITA SE, dass der Funkanlagentyp BRITA LARQ iQ der Richtlinie 2014/53/EU entspricht. Den vollständigen Text der EU Konformitätserklärung erhältst du auf Anfrage.

TECHNISCHE DATEN

Modell	680 ml	1000 ml
Dimensionen (mm)	Ø 74.5 x 254	Ø 83 x 288
Gewicht (g)	376	439
Modell	iQ Cap	
Funk	Frequenzband	2.4 GHz (2402 - 2480 MHz)
	Max. HF-Ausgang-Sendeleistung (RF Tx)	-0.48 mW (-3.23 dBm)
	Referenzwerte	0.475 mW (-3.23 dBm) @ 2402 MHz 0.411 mW (-3.86 dBm) @ 2480 MHz
	EIRP (EU max. Limit)	< 10 dBm
Sicherheit	Schutzklasse	III
Batterie	Hersteller	HuNan Grand-Pro Tech Co., Ltd.
	Adresse	Kreuzung Shihu Avenue und Linjing 2nd Road, Bezirk Suxian, 423000 Chenzhou, Hunan, VOLKSREPUBLIK CHINA
	Web	grand-pro.com
	Email	grand-pro@grand-pro.com
	Typ	Pack wiederaufladbarer Lithium-Ionen-Akku
	Modell	PL902037 (1ICP9/21/38)
	Spannung	3.7 V DC
	Nennkapazität	700 mAh
	Energie	2.59 Wh
	Gewicht (ca.)	13 g
	Chemie	LiCoO ₂ , Graphite, LiPF ₆
	Werk	Neben Chenzhou Great Gehäuse Industry Co., Ltd. (ID: 089687)
	Adresse	Kreuzung Shihu Avenue und Linjing 2nd Road, Bezirk Suxian, 423000 Chenzhou, Hunan, VOLKSREPUBLIK CHINA
	Herstellungsdatum	Siehe Batteriekennzeichen (JJJJMMTT)
	Chargennummer	Siehe Batteriekennzeichen (JJJJMMTT)
	Andere Gefahrstoffe als Hg/Cd/Pb	Nicht zutreffend
	Verwendbares Löschmittel	Kohlendioxid (CO ₂) oder trocken chemischer Feuerlöscher
Kritische Rohstoffe >0,1 %(m/m)	Nicht zutreffend	

VOR DEM ERSTEN GEBRAUCH

A Aufladen der Flasche

Zum Aufladen das im Lieferumfang enthaltene USB-C-Ladekabel anschließen. Achtung: Nur USB Netzteile mit 5 V Ausgangsspannung verwenden. Sobald der Deckel leuchtet, ist die BRITA LARQ iQ Flasche einsatzbereit. Der Akku ist vollständig geladen, wenn das grüne Licht durchgängig leuchtet.

B BRITA App herunterladen

Anweisungen in der App folgen und persönliches Trinkprofil einrichten.

C Reinigung & Hygiene

Reinige Flasche, Deckel und Strohhalm (inklusive Adapter) mit mildem Reinigungsmittel. Achte bei der Reinigung der LARQ iQ Cap darauf, dass der USB-C-Anschluss am Deckel mit der Hand abgedeckt wird, damit beim Reinigen kein Wasser eindringen kann.

Der Deckel ist nicht spülmaschinengeeignet.

D INBETRIEBNAHME DES FILTERS

- 1 Filter 10 Sekunden unter laufendes, kaltes Wasser halten.
- 2 Filter mit der Öffnung zum Strohhalm in das Gehäuse einsetzen.
- 3 Gehäuseunterteil schließen und festdrehen, Strohhalm mit Adapter am Deckel fixieren.
- 4 Die maximale Füllhöhe des Wassers beachten, um eine optimale Funktion zu gewährleisten. Die Flasche ist nicht für die Nutzung mit heißem Wasser geeignet.

⚠ EINFÜLLEN

Kein heißes Wasser verwenden.

Nur Leitungswasser in Trinkwasserqualität ohne Sedimente verwenden. Kein kohlenensäurehaltiges Wasser verwenden.

Messen der Flüssigkeitszufuhr

Um die Flüssigkeitsversorgung genau bestimmen zu können, stelle die verschlossene Flasche mit Deckel nach dem Trinken oder Auffüllen auf eine ebene Fläche. Innerhalb von 5 Sekunden leuchtet ein weißes Licht, wenn die Wassermenge gemessen wurde.

EINSTELLUNGEN

E PureVis UV-C Modus

- 1 Einmal den λ Knopf drücken: Normalmodus (pulsierendes blaues Leuchten).
- 2 Zweimal den λ Knopf drücken: Extrastarke Reinigung (blinkendes blaues Leuchten).

- 3 Das UV-C-Licht startet alle zwei Stunden automatisch den Selbstreinigungsmodus.

Hydration

Hydration-Tracking – pulsierendes weißes Leuchten.

Trinkerinnerung – blinkendes weißes Leuchten.

Das Hydration-Tracking funktioniert am besten, wenn du die Flasche nach dem Trinken oder Auffüllen auf eine ebene Fläche stellst.

Innerhalb von 5 Sekunden leuchtet ein weißes Licht, wenn die Wassermenge gemessen wurde.

Batteriestatus

Batteriestand niedrig – Zweimal blinkendes grünes Leuchten vor jedem PureVis UV-C Modus.

Laden – pulsierendes grünes Leuchten.

Voll geladen – grünes Dauerleuchten.

Fehlermeldung

Deckel ist nicht aufgeschraubt – orangefarbenes Dauerleuchten.

Das eingefüllte Wasser ist zu heiß – pulsierendes orangefarbenes Leuchten.

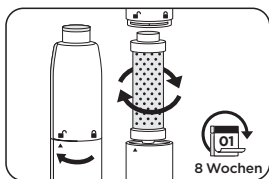
Batterieprobleme – pulsierendes violettes Leuchten.

Grundlegende Probleme – pulsierendes rotes Leuchten. Wende dich an www.brita.net.

PFLEGE UND WARTUNG

Filterwechsel

Ein Filter kann bis zu 150 Liter Wasser filtern. Wir empfehlen, den Filter mindestens alle 8 Wochen zu wechseln. Aufgebrauchte Filter können im Hausmüll entsorgt werden.



Reinigung

Reinige den Deckel und Strohhalm (inklusive Adapter) wöchentlich mit mildem Reinigungsmittel. Spüle die Flasche mindestens einmal im Monat mit warmem Seifenwasser. **Der Deckel und der Filter sind nicht spülmaschinengeeignet.**



ENTSORGUNG

Das Symbol „durchgestrichene Mülltonne“ erfordert die separate Entsorgung von Elektro- und Elektronik-Altgeräten (WEEE). Elektrische und elektronische Geräte können wertvolle, aber gefährliche und umweltgefährdende Stoffe enthalten. Die LARQ iQ Cap enthält einen wiederaufladbaren Lithium-Polymer-Akku. Entsorge die LARQ iQ Cap nicht im Hausmüll. Für Elektroschrott und Geräte wie die LARQ iQ Cap gibt es ein separates Sammelsystem. Beachte alle für die Entsorgung von elektronischen Komponenten geltenden Vorschriften und gesetzlichen Bestimmungen und bringe den Deckel zu der dafür vorgesehenen Sammelstelle für elektronische Produkte. Durch die ordnungsgemäße Entsorgung wird sichergestellt, dass Elektroschrott und Geräte ordnungsgemäß recycelt und wiederverwendet werden. Bitte entsorge die LARQ iQ / LARQ iQ Cap und den LARQ Filter verantwortungsbewusst gemäß den lokalen Richtlinien. Stelle sicher, dass der LARQ Filter unbeschädigt bleibt.

WICHTIGE ANMERKUNGEN

Die LARQ iQ / LARQ iQ Cap darf nur mit kommunal aufbereitetem, kaltem Leitungswasser verwendet werden, das von deiner örtlichen Wasserbehörde bereitgestellt wird. Dieses Wasser wird ständig kontrolliert und ist gemäß den gesetzlichen Vorschriften sicher zum Trinken geeignet. Nicht mit Wasser unbekannter Qualität verwenden. Abhängig von der Wasserquelle kann es ratsam sein, bei der Verwendung von der LARQ iQ / LARQ iQ Cap zusätzliche Vorsichtsmaßnahmen zu ergreifen, um die Sicherheit des Wassers zu gewährleisten. Wenn von den Behörden eine Anweisung vorliegt, dass Leitungswasser abgekocht werden muss, dann muss das mit der LARQ iQ / LARQ iQ Cap optimierte Wasser ebenfalls abgekocht werden. Wenn die Anordnung zum Abkochen des Wassers nicht mehr gilt, bitte die LARQ iQ / LARQ iQ Cap gründlich reinigen und einen neuen LARQ Filter einsetzen. Bei geschwächter Immunität und bei Babys wird allgemein empfohlen Leitungswasser abzukochen. Wasser ist ein Lebensmittel, das für den menschlichen Verzehr bestimmt ist. Daher solltest du das Wasser in deiner Flasche innerhalb eines Tages aufbrauchen. Wenn du die LARQ iQ / LARQ iQ Cap längere Zeit nicht verwendest, schraube die Flasche auseinander und bewahre die Einzelteile trocken auf.

Lagere Ersatz-Filter immer kühl und trocken in einem fest verschlossenen Behälter. Der Filter ist ein Naturprodukt, das zu leichtem Abrieb von kleinen Kohlepartikeln sowohl in der Verpackung als auch im gefilterten Wasser führen kann. Diese Partikel beeinträchtigen deine Gesundheit nicht und sind nicht gefährlich, wenn sie verschluckt

werden. Solltest du Kohlepartikel in deinem gefilterten Wasser entdecken, empfehlen wir, den Filter von allen Seiten gründlich abzuspülen.

Beim Filtern kommt es anfänglich zu einer leichten Erhöhung des Kaliumgehalts des Wassers. Dies ist unbedenklich (so enthält 1 L BRITA gefiltertes Wasser weniger Kalium als etwa ein Apfel). Solltest du an einer Erkrankung der Nieren leiden und / oder eine spezielle Kaliumdiät einhalten müssen, sprich die Verwendung eines BRITA Wasserfilters bitte zuvor mit deinem Arzt ab.

Haftungsausschluss

Die Nutzung des Produkts erfolgt auf dein eigenes Risiko. Es wird davon ausgegangen, dass du das Produkt freiwillig und in dem vollen Wissen nutzt, dass damit inhärente und/oder damit einhergehende Risiken verbunden sind, und dass du alle Risiken übernimmst und akzeptierst, die mit dem Besitz oder der Verwendung des Produkts verbunden sein können oder daraus entstehen.

Hast du noch Fragen?

Dann besuche uns unter www.brita.net

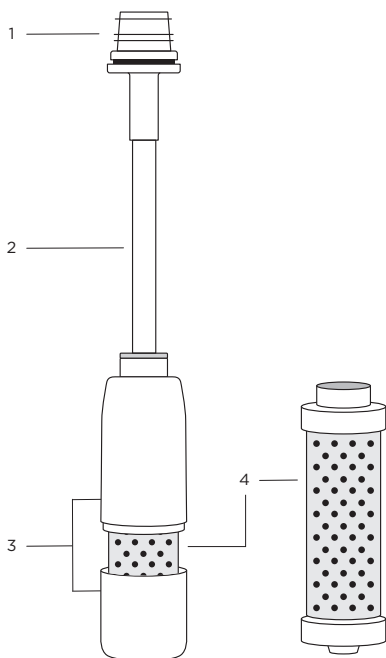


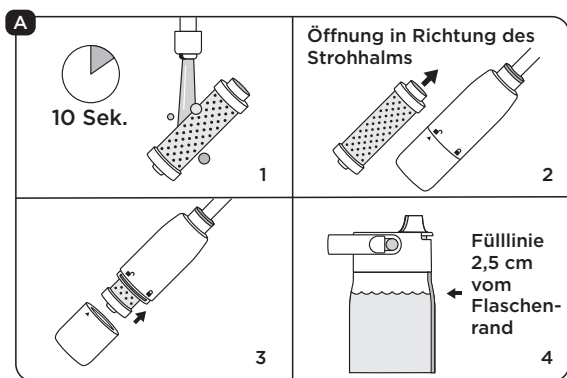
USB-C 5V=700mAh
IPX7

LARQ Filter / LARQ Filter Upgrade Kit

DE

- 1 - Adapter
- 2 - Strohhalm
- 3 - Filtergehäuse
- 4 - LARQ Filter





WICHTIGE SICHERHEITSHINWEISE

Lies alle Produktanweisungen und Sicherheitshinweise dieser Bedienungsanleitung vor Gebrauch aufmerksam durch und halte die Anweisungen bei Nutzung ein. Unsachgemäße Nutzung kann zu Verletzungen führen.

WICHTIG - Das Produkt ist nicht für die Nutzung durch Kinder geeignet. Das Produkt enthält kleine Komponenten, die für Kinder und insbesondere für Kinder unter 3 Jahren gefährlich sein können. Das Produkt außerhalb der Reichweite von Kindern aufbewahren.

Reinige die Außenseite des Produkts mit einem sauberen, feuchten Tuch. Verwende niemals starke Reinigungssprays oder -flüssigkeiten oder ähnliche Chemikalien.

Setze das Produkt nicht Temperaturen unter dem Gefrierpunkt oder über 32 °C Außentemperatur aus.

Wie bei jedem Wasseraufbereitungssystem solltest du immer über eine alternative Methode der Wasseraufbereitung verfügen.

REINIGUNG VOR DEM ERSTEN GEBRAUCH

Reinige den Strohhalm (inklusive Adapter) mit mildem Reinigungsmittel. Die Komponenten des Filter Upgrade Kits (mit Ausnahme des Filters) sind spülmaschinene geeignet.

A INBETRIEBNAHME DES FILTERS

- 1 Filter 10 Sekunden unter laufendes, kaltes Wasser halten.
- 2 Filter mit der Öffnung zum Strohhalm in das Gehäuse einsetzen.
- 3 Gehäuseunterteil schließen und festdrehen, Strohhalm mit Adapter am Deckel fixieren.
- 4 Die maximale Füllhöhe des Wassers beachten, um eine optimale Funktion zu gewährleisten. Die Flasche ist nicht für die Nutzung mit heißem Wasser geeignet.

⚠ EINFÜLLEN

Kein heißes Wasser verwenden.

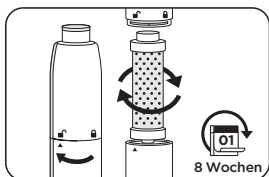
Nur Leitungswasser in Trinkwasserqualität ohne Sedimente verwenden.

Kein kohlenstoffhaltiges Wasser verwenden.

PFLEGE UND WARTUNG

Filterwechsel

Ein Filter kann bis zu 150 Liter Wasser filtern. Wir empfehlen, den Filter mindestens alle 8 Wochen zu wechseln. Aufgebrauchte Filter können im Hausmüll entsorgt werden.



Reinigung

Reinige den Strohhalm (inklusive Adapter) mit mildem Reinigungsmittel. Die Komponenten des Filter Upgrade Kits (mit Ausnahme des Filters) sind spülmaschinengeeignet.

ENTSORGUNG

Bitte entsorge den LARQ Filter verantwortungsbewusst gemäß den lokalen Richtlinien. Stelle sicher, dass der LARQ Filter unbeschädigt bleibt.

WICHTIGE ANMERKUNGEN

Der LARQ Filter darf nur mit kommunal aufbereitetem, kaltem Leitungswasser verwendet werden, das von deiner örtlichen Wasserbehörde bereitgestellt wird. Dieses Wasser wird ständig kontrolliert und ist gemäß den gesetzlichen Vorschriften sicher zum Trinken geeignet. Nicht mit Wasser unbekannter Qualität verwenden. Abhängig von der Wasserquelle kann es ratsam sein, bei der Verwendung des LARQ Filters zusätzliche Vorsichtsmaßnahmen zu ergreifen, um die Sicherheit des Wassers zu gewährleisten. Wenn von den Behörden eine Anweisung vorliegt, dass Leitungswasser abgekocht werden muss, dann muss das mit dem LARQ Filter optimierte Wasser ebenfalls abgekocht werden. Wenn die Anordnung zum Abkochen des Wassers nicht mehr gilt, bitte die LARQ Flasche gründlich reinigen und einen neuen LARQ Filter einsetzen. Bei geschwächter Immunität und bei Babys wird allgemein empfohlen Leitungswasser abzukochen. Wasser ist ein Lebensmittel, das für den menschlichen Verzehr bestimmt ist. Daher solltest du das Wasser in deiner Flasche innerhalb eines Tages aufbrauchen. Wenn du die LARQ Flasche längere Zeit nicht verwendest, schraube die Flasche auseinander und bewahre die Einzelteile trocken auf.

Lagere Ersatz-Filter immer kühl und trocken in einem fest verschlossenen Behälter. Der Filter ist ein Naturprodukt, das zu leichtem Abrieb von kleinen Kohlepartikeln sowohl in der Verpackung als auch im gefilterten Wasser führen kann. Diese Partikel beeinträchtigen deine Gesundheit nicht und sind nicht gefährlich, wenn sie verschluckt werden. Solltest du Kohlepartikel in deinem gefilterten Wasser entdecken, empfehlen wir, den Filter von allen Seiten gründlich abzuspülen.

Beim Filtern kommt es anfänglich zu einer leichten Erhöhung des Kaliumgehalts des Wassers. Dies ist unbedenklich (so enthält 1L BRITA gefiltertes Wasser weniger Kalium als etwa ein Apfel). Solltest du an einer Erkrankung der Nieren leiden und/oder eine spezielle Kaliumdiät einhalten müssen, sprich die Verwendung eines BRITA Wasserfilters bitte zuvor mit deinem Arzt ab.

Haftungsausschluss

Die Nutzung des Produkts erfolgt auf dein eigenes Risiko. Es wird

davon ausgegangen, dass du das Produkt freiwillig und in dem vollen Wissen nutzt, dass damit inhärente und/oder damit einhergehende Risiken verbunden sind, und dass du alle Risiken übernimmst und akzeptierst, die mit dem Besitz oder der Verwendung des Produkts verbunden sein können oder daraus entstehen.

Hast du noch Fragen?

Dann besuche uns unter www.brita.net



Hersteller: BRITA SE, Heinz-Hankammer-Straße 1, D-65232 Taunusstein, Germany,
Tel.: +49 800 500 19 19, www.brita.net

Vertrieb durch: BRITA SE, Heinz-Hankammer-Straße 1, D-65232 Taunusstein,
Verbraucherservice: +49 800 500 19 19



LARQ

Mode d'emploi

**LARQ Essential, LARQ iQ / LARQ iQ Cap,
LARQ Filter / LARQ Filter Upgrade Kit**

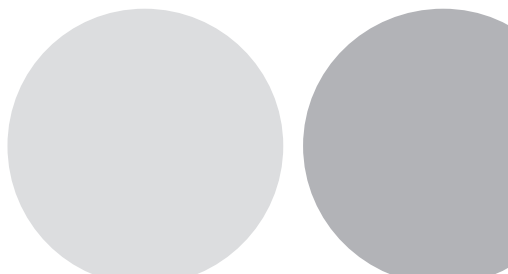




Table des matières

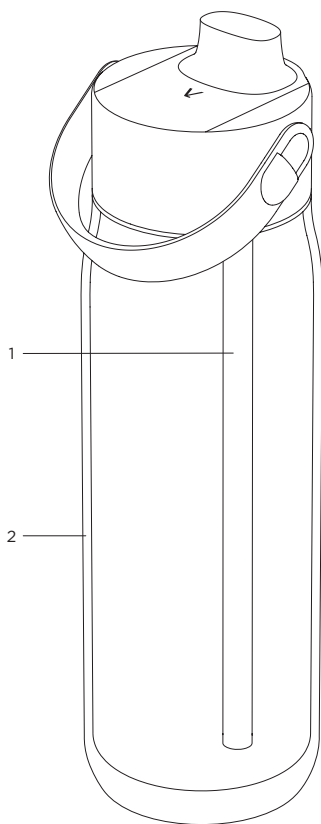
LARQ Essential _____	45
LARQ iQ / LARQ iQ Cap _____	48
LARQ Filter / LARQ Filter Upgrade Kit _____	59

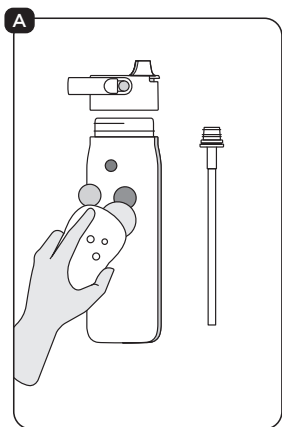
LARQ Essential

FR

1 - Paille

2 - Isolation à double paroi
acier inoxydable





INFORMATIONS IMPORTANTES SUR LA SÉCURITÉ

Lisez attentivement toutes les instructions du produit et les informations de sécurité contenues dans ce mode d'emploi avant l'utilisation et suivez les instructions pendant l'utilisation. Une mauvaise utilisation peut entraîner des blessures.

IMPORTANT - Le produit ne doit pas être utilisé par des enfants. Le produit contient de petits composants qui peuvent être dangereux pour les enfants et en particulier pour les enfants de moins de 3 ans. Mettez le produit hors de la portée des enfants.

Nettoyez l'extérieur du produit avec un chiffon propre et humide. N'utilisez jamais de sprays nettoyants puissants, de liquides ou de produits chimiques similaires.

N'exposez pas le produit à des températures inférieures au point de gel ou supérieures à 32 °C de température extérieure.

A NETTOYAGE AVANT LA PREMIÈRE UTILISATION

Nettoyez la bouteille, le couvercle et la paille (y compris l'adaptateur) avec un agent nettoyant doux. Tous les composants vont au lave-vaisselle.

⚠ REMPLISSAGE

N'utilisez pas d'eau chaude.

Utilisez uniquement de l'eau du robinet potable sans sédiments.

N'utilisez pas d'eau gazeuse.

ENTRETIEN

Nettoyez régulièrement la bouteille, le couvercle et la paille (y compris l'adaptateur) avec un agent nettoyant doux ou au lave-vaisselle.

MISE AU REBUT

Veuillez mettre la gourde LARQ Essential au rebut de manière responsable conformément à la réglementation locale.

REMARQUE IMPORTANTE

La gourde LARQ Essential ne doit être utilisée qu'avec de l'eau du robinet potable froide fournie par votre distributeur local d'eau potable, conformément aux réglementations en vigueur de votre pays. En cas de mesure de restriction de consommation ou d'utilisation d'eau potable par les autorités (comme faire bouillir votre eau du robinet avant consommation), celles-ci s'appliquent à l'eau utilisée avec votre gourde LARQ Essential. Une fois les mesures levées par les autorités, veuillez nettoyer soigneusement la gourde LARQ Essential. L'eau du robinet préalablement bouillie et refroidie est généralement recommandée pour les bébés et les personnes dont le système immunitaire est surveillé. L'eau est une denrée alimentaire destinée à la consommation humaine. Elle doit donc être bue dans la journée. En cas de non utilisation de la gourde LARQ Essential pendant une période prolongée, dévissez la bouteille, séchez et rangez les pièces individuelles dans un endroit sec.

Exclusion de responsabilité

L'utilisation de ce produit implique une responsabilité personnelle. En choisissant de l'utiliser, vous reconnaissez être informé(e) des risques potentiels liés à son usage et acceptez de les assumer en toute connaissance de cause.

Vous avez des questions ?

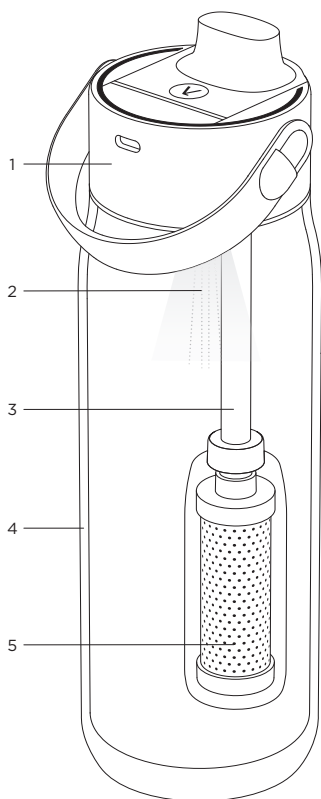
Contactez-nous alors sur www.brita.net



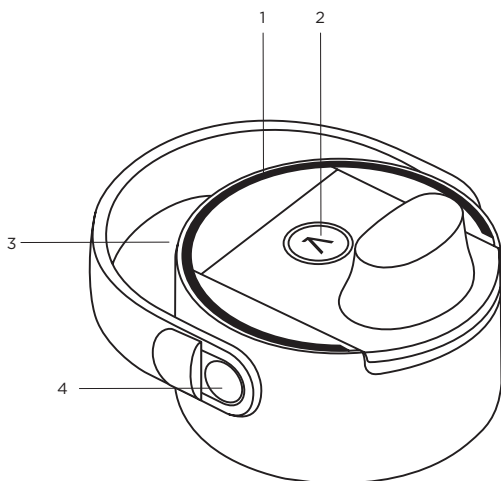
LARQ iQ

FR

- 1 - Couvercle
- 2 - PureVis LED UV-C
- 3 - Paille
- 4 - Bouteille en acier inoxydable, isolation à double paroi
- 5 - Boîtier de filtre avec LARQ Filter



LARQ iQ Cap



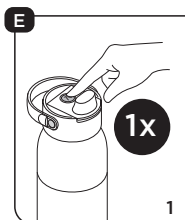
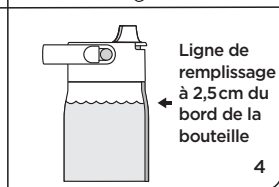
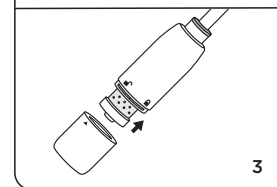
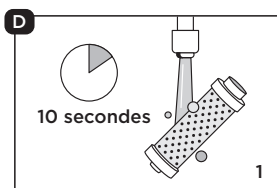
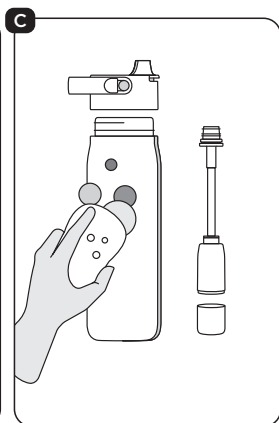
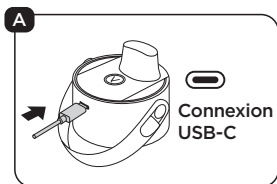
FR

1 - Technologie de contrôle intelligent

2 - PureVis LED UV-C

3 - Connexion USB-C

4 - Verrou de poignée



INFORMATIONS IMPORTANTES SUR LA SÉCURITÉ

Lisez attentivement toutes les instructions du produit et les informations de sécurité contenues dans ce mode d'emploi avant l'utilisation et suivez les instructions pendant l'utilisation. Une mauvaise utilisation peut entraîner des blessures.

IMPORTANT - Le produit ne doit pas être utilisé par des enfants. Le produit contient de petits composants qui peuvent être dangereux pour les enfants et en particulier pour les enfants de moins de 3 ans. Mettez le produit, en particulier le couvercle électronique avec l'unité de lampe UV-C et la batterie hors de portée des enfants.

DANGER - Rayonnement ultraviolet. Ne regardez jamais directement dans la lumière. La lumière ultraviolette directe peut irriter les yeux et la peau et peut être potentiellement nocive.

Le LARQ iQ Cap ne doit être utilisé qu'avec la bouteille LARQ iQ ou LARQ Essential, la lampe UV-C n'a été testée qu'en combinaison avec les bouteilles LARQ iQ et LARQ Essential. BRITA ne peut garantir l'efficacité de l'application si le LARQ iQ Cap est utilisé avec une autre bouteille qui n'a pas été testée.

AVERTISSEMENT ! Le produit contient une LED UV RG-3 qui émet un rayonnement UV. Évitez tout contact avec les yeux et la peau si la lampe n'est pas protégée. Risque de lésions cutanées ou oculaires.

Attention ! Éteignez la lampe UV avant d'ouvrir ! La lampe UV ne doit pas être allumée si le couvercle n'est pas vissé sur la bouteille.

Le LARQ iQ Cap ne doit pas être ouvert, manipulé ou modifié. Si la bouteille ou l'un des composants ne fonctionne pas comme prévu ou est défectueux, arrêtez immédiatement de l'utiliser. L'appareil ne doit pas être réparé sans autorisation. En particulier, la LED UV ne peut être réparée que par un expert qualifié.

Le LARQ iQ Cap avec la lampe UV-C est un appareil électrique. N'ouvrez pas, n'exposez pas, ne modifiez pas ou ne touchez pas les circuits internes car cela pourrait entraîner un choc électrique.

Le retrait ou la modification de la carte de circuit électronique de l'unité de lampe UV-C peut entraîner des blessures ou des dommages au produit et annulera toutes les garanties.

Pour éviter tout danger ou choc électrique, rangez ce produit à l'abri de la pluie et des liquides. N'utilisez pas le chargeur près de l'eau, par exemple près d'une baignoire, d'un lavabo, d'un évier de cuisine, d'un bac de lessive ou d'une piscine.

Nettoyez l'extérieur du produit avec un chiffon propre et humide. N'utilisez jamais de sprays nettoyants puissants, de liquides ou de produits chimiques similaires.

Lorsque le LARQ iQ Cap est nettoyé, assurez-vous que le port USB-C du couvercle est protégé par votre main afin qu'aucune eau ne puisse pénétrer pendant le nettoyage.

Lors de la charge, connectez l'adaptateur uniquement comme décrit dans le mode d'emploi. Seuls les adultes doivent charger la batterie. Ne chargez pas l'appareil avec un câble USB autre que le câble USB fourni avec votre LARQ iQ.

ATTENTION ! L'appareil peut surchauffer si la tension de charge est trop élevée (supérieure à 5 V). Il y a un risque d'incendie et de brûlures en cas de contact avec la peau. Débranchez l'appareil de l'alimentation électrique, laissez-le refroidir de manière contrôlée et mettez-le au rebut correctement.

ATTENTION ! Ne retirez pas le couvercle pendant que le cycle de la lampe UV-C est activé. Si le couvercle est retiré pendant un cycle de nettoyage sans d'abord annuler le cycle de nettoyage, le LARQ iQ déclenche un mode de sécurité. En mode de sécurité, la lampe LED UV change de mode de fonctionnement afin de ne pas mettre l'utilisateur en danger pour le restant du cycle.

Pour annuler un cycle de nettoyage, appuyez d'abord sur le bouton en haut du couvercle, puis retirez délicatement le couvercle.

N'utilisez pas le LARQ iQ Cap comme source de lumière.

N'exposez pas le produit à des températures inférieures au point de gel ou supérieures à 32 °C de température extérieure.

N'utilisez pas le LARQ iQ Cap dans des récipients tels que des béchers de laboratoire.

La lampe UV-C du LARQ iQ Cap n'est pas destinée à désinfecter l'eau sur le rebord ou les surfaces extérieures de la bouteille ou du bouchon que la lumière ne peut pas atteindre. Il n'est pas destiné à désinfecter les surfaces extérieures d'un récipient à boisson, y compris les surfaces qui sont généralement en contact avec la bouche pendant la consommation. Assurez-vous que la bouteille et le couvercle ont été correctement nettoyés avant utilisation.

Comme pour tout système de traitement de l'eau, vous devez toujours avoir une méthode alternative de traitement de l'eau. Évitez le contact des rayons UV-C avec les yeux et la peau et assurez-vous qu'ils n'ont pas d'impact sur les personnes ou les animaux. N'utilisez pas l'appareil si le LARQ iQ Cap ou l'unité de la lampe UV-C est fissuré, ébréché ou endommagé. Veuillez contacter BRITA pour plus d'informations sur les règles d'élimination ou de retour. Bien que des tests microbiologiques soigneusement contrôlés aient été effectués, l'utilisation de la lampe UV-C du LARQ iQ Cap par les consommateurs sous certaines conditions peut conduire à des résultats qui diffèrent des données des tests de laboratoire.

DÉCLARATION DE CONFORMITÉ

BRITA SE déclare par la présente que le type d'émetteur radio BRITA LARQ iQ est conforme à la directive 2014 / 53 / UE. Le texte intégral de la Déclaration de conformité UE est disponible sur demande.

SPÉCIFICATIONS TECHNIQUES

Modèle	680 ml	1000 ml
Dimensions (mm)	Ø 74.5 x 254	Ø 83 x 288
Poids (g)	376	439
Modèle		iQ Cap
Puissance nominale	Bande de fréquences	2.4 GHz (2402 - 2480 MHz)
	Puissance de sortie maximale de l'émetteur RF (RF Tx)	-0.48 mW (-3.23 dBm)
	Valeurs de référence	0.475 mW (-3.23 dBm) @ 2402 MHz 0.411 mW (-3.86 dBm) @ 2480 MHz
	EIRP (limite maximale de l'UE)	< 10 dBm
Sécurité	Indice de protection	III
Batterie	Fabricant	HuNan Grand-Pro Tech Co., Ltd.
	Adresse	Intersection de Shihu Ave et Linjing 2nd Rd, Suxian District, 423000 Chenzhou, Hunan, RÉPUBLIQUE POPULAIRE DE CHINE
	Site web	grand-pro.com
	E-mail	grand-pro@grand-pro.com
	Type	Batterie rechargeable au lithium-ion
	Modèle	PL902037 (IICP9/21/38)
	Tension	3.7 V DC
	Capacité (nominale)	700 mAh
	Énergie	2.59 Wh
	Poids (environ)	13 g
	Chimie	LiCoO ₂ , Graphite, LiPF ₆
	Usine	Proche Chenzhou Great Housing Industry Co., Ltd. (ID: 089687)
	Adresse	Intersection de Shihu Ave et Linjing 2nd Rd, Suxian District, 423000 Chenzhou, Hunan, RÉPUBLIQUE POPULAIRE DE CHINE
	Date de fabrication	Voir plaque d'identification de la batterie (AAAAMMJJ)
	Numéro de lot	Voir plaque d'identification de la batterie (AAAAMMJJ)
	Substances dangereuses autres que Hg/Cd/Pb	non applicable
	Agent extincteur utilisable	Dioxyde de carbone (CO ₂) ou extincteur chimique sec
Matériaux bruts critiques >0,1 % (p/p)	non applicable	

AVANT LA PREMIÈRE UTILISATION

A Chargement de la bouteille

Connectez le câble de chargement USB-C inclus dans le paquet pour le chargement. Attention : Utilisez uniquement des alimentations USB avec une tension de sortie de 5 V. Une fois le couvercle allumé, la bouteille BRITA LARQ iQ est prête à l'emploi. La batterie rechargeable est complètement chargée lorsque le voyant vert s'allume en continu.

B Téléchargez l'application BRITA

Suivez les instructions de l'application et configurez votre profil de consommation personnel.

C Nettoyage et hygiène

Nettoyez la bouteille, le couvercle et la paille (y compris l'adaptateur) avec un agent nettoyant doux. Lorsque le LARQ iQ Cap est nettoyé, assurez-vous que le port USB-C du couvercle est protégé par votre main afin qu'aucune eau ne puisse pénétrer pendant le nettoyage.

Le couvercle ne va pas au lave-vaisselle.

D MISE EN SERVICE DU FILTRE

- 1 Maintenez le filtre sous l'eau froide courante pendant 10 secondes.
- 2 Insérez le filtre dans le boîtier avec l'ouverture pointant vers la paille.
- 3 Fermez et serrez la partie inférieure du boîtier, utilisez l'adaptateur pour fixer la paille sur le couvercle.
- 4 Respectez le niveau maximum de remplissage d'eau pour assurer une fonctionnalité optimale. La bouteille ne convient pas pour une utilisation avec de l'eau chaude.

⚠ REMPLISSAGE

N'utilisez pas d'eau chaude.

Utilisez uniquement de l'eau du robinet potable sans sédiments.

N'utilisez pas d'eau gazeuse.

Mesure de consommation de liquide

Pour pouvoir déterminer avec précision la consommation de liquide, placez la bouteille fermée avec le couvercle en place sur une surface plane après avoir bu ou rempli. Une lumière blanche s'allume dans les 5 secondes suivant la mesure de la quantité d'eau.

PARAMÈTRES

E PureVis Mode UV-C

- 1 Appuyez sur le bouton une fois : Mode normal (lumière bleue clignotant lentement).

- 2 Appuyez sur le bouton deux fois : Nettoyage intensif (lumière bleue clignotante).
- 3 La lampe UV-C démarre automatiquement le mode de nettoyage automatique toutes les deux heures.

Hydratation

Suivi de l'hydratation - lumière blanche clignotant lentement.

Rappel de consommation - lumière blanche clignotante.

Le suivi de l'hydratation fonctionne mieux si vous placez la bouteille sur une surface plane après avoir bu ou rempli.

Une lumière blanche s'allume dans les 5 secondes suivant la mesure de la quantité d'eau.

État de la batterie

Charge de la batterie faible - le voyant vert clignote deux fois avant chaque mode PureVis UV-C.

En charge - voyant vert clignotant lentement.

Complètement chargé - voyant vert allumé en permanence.

Message d'erreur

Le couvercle n'est pas vissé - voyant orange allumé en permanence. L'eau de remplissage est trop chaude - voyant orange clignotant lentement.

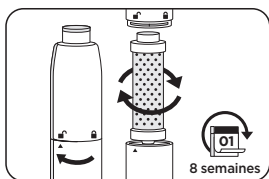
Problème de batterie - voyant violet clignotant lentement.

Problème majeur - voyant rouge clignotant lentement. Veuillez contacter www.brita.net.

ENTRETIEN ET MAINTENANCE

Changement du filtre

Un filtre peut filtrer jusqu'à 150 litres d'eau. Nous recommandons de remplacer le filtre au moins toutes les 8 semaines. Les filtres usagés peuvent être jetés avec les ordures ménagères.



Nettoyage

Nettoyez la bouteille, le couvercle et la paille (y compris l'adaptateur) chaque semaine avec un agent nettoyant doux. Rincez la bouteille à l'eau tiède savonneuse au moins une fois par mois.

Le couvercle et le filtre ne vont pas au lave-vaisselle.



MISE AU REBUT

Le symbole de la « poubelle barrée » indique que les appareils électriques et électroniques en fin de vie (DEEE) doivent être mis au rebut séparément. Les appareils électriques et électroniques peuvent contenir des substances précieuses, mais nocives et dangereuses pour l'environnement. Le LARQ iQ Cap contient une batterie lithium-polymère rechargeable. Ne jetez pas le LARQ iQ Cap avec les ordures ménagères. Il existe un système de collecte des déchets électriques et des appareils tels que le LARQ iQ Cap. Respectez toutes les réglementations et exigences légales applicables pour l'élimination des composants électroniques et apportez le couvercle au point de collecte désigné pour les produits électroniques. Une élimination conforme garantit que les déchets et appareils électroniques sont correctement recyclés et réutilisés. Veuillez mettre la gourde LARQ iQ / LARQ iQ Cap et le LARQ Filter au rebut de manière responsable, conformément à la réglementation locale. Assurez-vous que le LARQ Filter n'est pas endommagé.

REMARQUES IMPORTANTES

La gourde LARQ iQ/ LARQ iQ Cap ne doit être utilisée qu'avec de l'eau du robinet potable froide fournie par votre distributeur local d'eau potable, conformément aux réglementations en vigueur de votre pays. En cas de mesure de restriction de consommation ou d'utilisation d'eau potable par les autorités (comme faire bouillir votre eau du robinet avant consommation), celles-ci s'appliquent à l'eau utilisée avec votre gourde LARQ iQ/ LARQ iQ Cap. Une fois les mesures levées par les autorités, veuillez nettoyer soigneusement la gourde LARQ iQ/ LARQ iQ Cap et remplacez votre LARQ Filter. L'eau du robinet préalablement bouillie et refroidie est généralement recommandée pour les bébés et les personnes dont le système immunitaire est surveillé. L'eau est une denrée alimentaire destinée à la consommation humaine. Elle doit donc être bue dans la journée. En cas de non utilisation de la gourde LARQ iQ/ LARQ iQ Cap pendant une période prolongée, dévissez la bouteille, séchez et rangez les pièces individuelles dans un endroit sec.

Conservez toujours les filtres de rechange dans un endroit frais et sec dans un récipient hermétiquement fermé. Le filtre est un produit naturel ; cela peut signifier une légère abrasion des petites particules de charbon à la fois dans l'emballage et dans l'eau filtrée. Ces particules n'affecteront pas votre santé et ne sont pas dangereuses en cas d'ingestion. Si vous découvrez des particules de charbon

dans votre eau filtrée, nous vous recommandons de rincer soigneusement le filtre de tous les côtés.

La filtration provoque initialement une légère augmentation de la teneur en potassium de l'eau. Ceci est inoffensif (par exemple, 1 litre d'eau filtrée BRITA contient moins de potassium qu'une pomme). Si vous souffrez d'une maladie rénale et/ou devez suivre un régime spécial à base de potassium, veuillez discuter à l'avance de l'utilisation d'un filtre à eau BRITA avec votre médecin.

Exclusion de responsabilité

L'utilisation de ce produit implique une responsabilité personnelle. En choisissant de l'utiliser, vous reconnaissez être informé(e) des risques potentiels liés à son usage et acceptez de les assumer en toute connaissance de cause.

Vous avez des questions ?

Contactez-nous alors sur www.brita.net



USB-C 5V=700mAh
IPX7

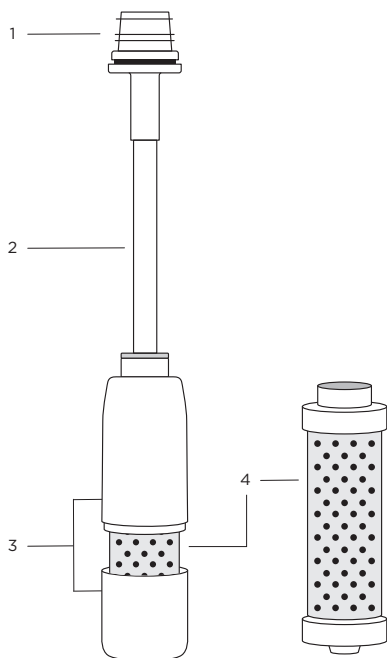


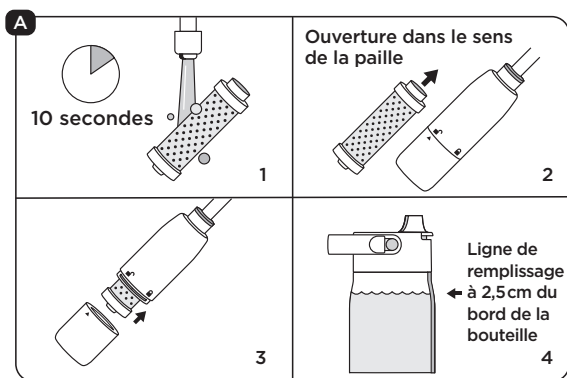
Points de collecte sur www.quefairemesdechets.fr
Privilégiez la réparation ou le don de votre appareil !

LARQ Filter / LARQ Filter Upgrade Kit

FR

- 1 - Adaptateur
- 2 - Paille
- 3 - Boîtier de filtre
- 4 - LARQ Filter





INFORMATIONS IMPORTANTES SUR LA SÉCURITÉ

Lisez attentivement toutes les instructions du produit et les informations de sécurité contenues dans ce mode d'emploi avant l'utilisation et suivez les instructions pendant l'utilisation. Une mauvaise utilisation peut entraîner des blessures.

IMPORTANT - Le produit ne doit pas être utilisé par des enfants. Le produit contient de petits composants qui peuvent être dangereux pour les enfants et en particulier pour les enfants de moins de 3 ans. Mettez le produit hors de la portée des enfants.

Nettoyez l'extérieur du produit avec un chiffon propre et humide. N'utilisez jamais de sprays nettoyants puissants, de liquides ou de produits chimiques similaires.

N'exposez pas le produit à des températures inférieures au point de gel ou supérieures à 32 °C de température extérieure.

Comme pour tout système de traitement de l'eau, vous devez toujours avoir une méthode alternative de traitement de l'eau.

NETTOYAGE AVANT LA PREMIÈRE UTILISATION

Nettoyez la paille (y compris l'adaptateur) avec un agent nettoyant doux. Les composants du kit de mise à niveau du filtre (à l'exception du filtre) vont au lave-vaisselle.

A MISE EN SERVICE DU FILTRE

- 1 Maintenez le filtre sous l'eau froide du robinet pendant 10 secondes.
- 2 Insérez le filtre dans le boîtier avec l'ouverture pointant vers la paille.
- 3 Fermez et serrez la partie inférieure du boîtier, utilisez l'adaptateur pour fixer la paille sur le couvercle.
- 4 Respectez le niveau maximum de remplissage d'eau pour assurer une fonctionnalité optimale. La bouteille ne convient pas pour une utilisation avec de l'eau chaude.

⚠ REMPLISSAGE

N'utilisez pas d'eau chaude.

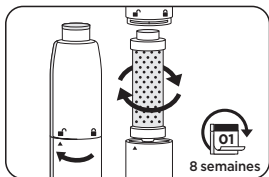
Utilisez uniquement de l'eau du robinet de qualité potable sans sédiments.

N'utilisez pas d'eau gazeuse.

ENTRETIEN ET MAINTENANCE

Changement du filtre

Un filtre peut filtrer jusqu'à 150 litres d'eau. Nous recommandons de remplacer le filtre au moins toutes les 8 semaines. Les filtres usagés peuvent être jetés avec les ordures ménagères.



Nettoyage

Nettoyez la paille (y compris l'adaptateur) avec un agent nettoyant doux. Les composants du kit de mise à niveau du filtre (à l'exception du filtre) vont au lave-vaisselle.

MISE AU REBUT

Veillez mettre le LARQ Filter au rebut de manière responsable conformément à la réglementation locale. Assurez-vous que le LARQ Filter n'est pas endommagé.

REMARQUES IMPORTANTES

Le LARQ Filter ne doit être utilisé qu'avec de l'eau du robinet potable froide fournie par votre distributeur local d'eau potable, conformément aux réglementations en vigueur de votre pays. En cas de mesure de restriction de consommation ou d'utilisation d'eau potable par les autorités (comme faire bouillir votre eau du robinet avant consommation), celles-ci s'appliquent à l'eau utilisée avec votre filtre LARQ Filter. Une fois les mesures levées par les autorités, veuillez remplacer votre LARQ Filter. L'eau du robinet préalablement bouillie et refroidie est généralement recommandée pour les bébés et les personnes dont le système immunitaire est surveillé. L'eau est une denrée alimentaire destinée à la consommation humaine. Elle doit donc être bue dans la journée. En cas de non utilisation de votre bouteille LARQ pendant une période prolongée, dévissez la bouteille, séchez et rangez les pièces individuelles dans un endroit sec.

Conservez toujours les filtres de rechange dans un endroit frais et sec dans un récipient hermétiquement fermé. Le filtre est un produit naturel ; cela peut signifier une légère abrasion des petites particules de charbon à la fois dans l'emballage et dans l'eau filtrée. Ces particules n'affecteront pas votre santé et ne sont pas dangereuses en cas d'ingestion. Si vous découvrez des particules de charbon dans votre eau filtrée, nous vous recommandons de rincer soigneusement le filtre de tous les côtés.

La filtration provoque initialement une légère augmentation de la teneur en potassium de l'eau. Ceci est inoffensif (par exemple, 1 litre d'eau filtrée BRITA contient moins de potassium qu'une pomme). Si vous souffrez d'une maladie rénale et/ou devez suivre un régime spécial à base de potassium, veuillez discuter à l'avance de l'utilisation d'un filtre à eau BRITA avec votre médecin.

Exclusion de responsabilité

L'utilisation de ce produit implique une responsabilité personnelle. En choisissant de l'utiliser, vous reconnaissez être informé(e) des risques potentiels liés à son usage et acceptez de les assumer en toute connaissance de cause.

Vous avez des questions ?

Contactez-nous alors sur www.brita.net



Fabricant: BRITA SE, Heinz-Hankammer-Straße 1, D-65232 Taunusstein, Germany,
Tel.: +49 800 500 19 19, www.brita.net

Distribué par: BRITA France S.A.R.L., 52, Boulevard de l'Yerres, 91030 EVRY Cedex,
France, Tel.: +33 (0) 169111996, Lun-ven 10h-13h



LARQ

Informatie voor gebruik

**LARQ Essential, LARQ iQ / LARQ iQ Cap,
LARQ Filter / LARQ Filter Upgrade Kit**





Inhoudsopgave

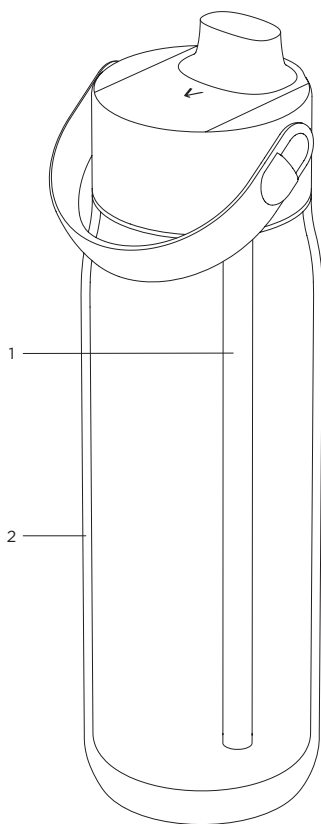
LARQ Essential _____	67
LARQ iQ / LARQ iQ Cap _____	70
LARQ Filter / LARQ Filter Upgrade Kit _____	81

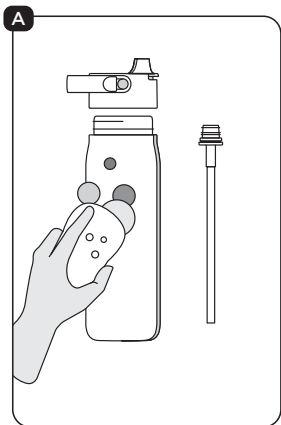
LARQ Essential

NL

1 - Rietje

2 - Dubbelwandig geïsoleerd
roestvrij staal





BELANGRIJKE VEILIGHEIDSINFORMATIE

Lees voorafgaand aan het gebruik alle productinstructies en veiligheidsinformatie in deze gebruiksaanwijzing zorgvuldig door en volg de instructies tijdens het gebruik. Onjuist gebruik kan tot verwondingen leiden.

BELANGRIJK – Het product is niet geschikt om door kinderen te worden gebruikt. Het product bevat kleine onderdelen die gevaarlijk kunnen zijn voor kinderen en vooral voor kinderen jonger dan 3 jaar. Houd het product buiten bereik van kinderen.

Maak de buitenkant van het product schoon met een schone, vochtige doek. Gebruik nooit sterke reinigingsmiddelen, vloeistoffen of vergelijkbare chemicaliën.

Stel het product niet bloot aan temperaturen onder het vriespunt of buitentemperaturen hoger dan 32 °C.

A SCHOONMAKEN VÓÓR HET EERSTE GEBRUIK

Maak de fles, de dop en het rietje (inclusief adapter) schoon met een mild schoonmaakmiddel. Alle onderdelen zijn vaatwasserbestendig.

⚠ VULLEN

Gebruik geen heet water.

Gebruik alleen leidingwater van drinkwaterkwaliteit zonder bezinksel.

Gebruik geen koolzuurhoudend water.

VERZORGING

Maak de fles, de dop en het rietje (inclusief adapter) regelmatig schoon met een mild schoonmaakmiddel of in de vaatwasser.

VERWIJDERING

Gooi de LARQ Essential op verantwoorde wijze weg, in overeenstemming met de plaatselijke voorschriften.

BELANGRIJKE OPMERKING

De LARQ Essential mag alleen worden gebruikt met gemeentelijk behandeld koud leidingwater dat wordt geleverd door het plaatselijke waterleidingbedrijf. Dit water wordt voortdurend bewaakt en is veilig om te drinken in overeenstemming met de wettelijke voorschriften. Gebruik niet met water van onbekende kwaliteit. Afhankelijk van de waterbron kan het raadzaam zijn om extra voorzorgsmaatregelen te nemen bij het gebruik van LARQ Essential om de veiligheid van het water te garanderen. Zodra de instructies over kokend water niet meer van toepassing zijn, dien je de LARQ Essential grondig schoon te maken. Kraanwater koken wordt over het algemeen aanbevolen voor baby's en mensen met een zwak immuunsysteem. Water is een levensmiddel, bestemd voor menselijke consumptie. Maak daarom het water in je fles binnen een dag op. Als je de LARQ Essential langere tijd niet gebruikt, schroef de fles dan los en bewaar de afzonderlijke onderdelen op een droge plaats.

VRIJWARING VAN AANSPRAKELIJKHEID

Het gebruik van het product is op eigen risico. Je wordt geacht het product vrijwillig en met volledige kennis van de inherente en/of geassocieerde risico's te gebruiken en dat je alle risico's aanvaardt en accepteert die kunnen worden geassocieerd met of voortvloeien uit het bezit of gebruik van het product.

Heb je nog vragen?

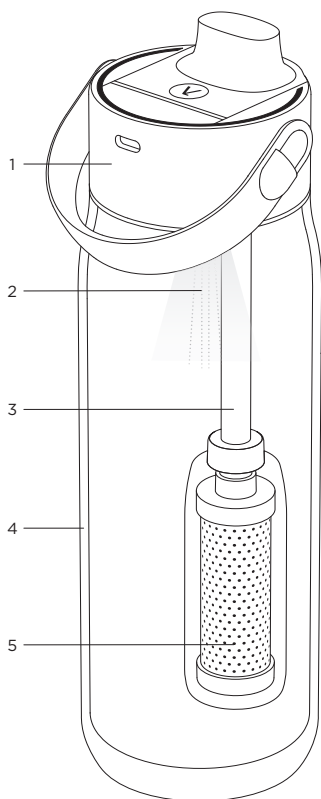
Bezoek ons dan op www.brita.net



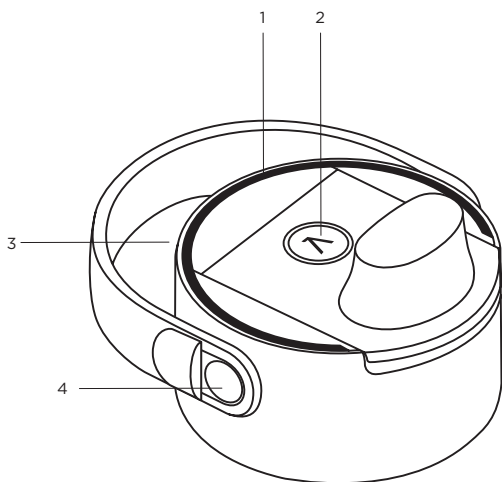
LARQ iQ

NL

- 1 - Dop
- 2 - PureVis UV-C-LED
- 3 - Rietje
- 4 - Roestvrijstalen fles,
dubbelwandig, geïsoleerd
- 5 - Filterbehuizing met LARQ Filter

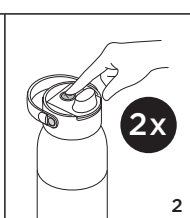
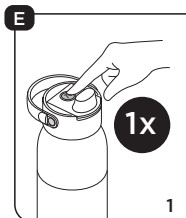
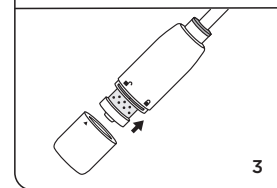
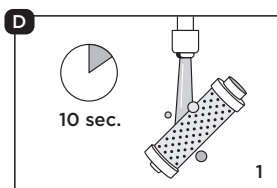
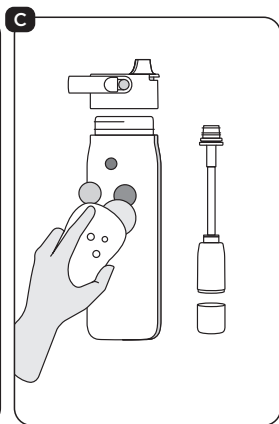
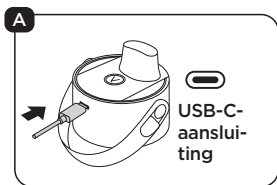


LARQ iQ Cap



NL

- 1 - Slimme trackingtechnologie
- 2 - PureVis UV-C-LED
- 3 - USB-C-aansluiting
- 4 - Handgreepvergrendeling



BELANGRIJKE VEILIGHEIDSINFORMATIE

Lees voorafgaand aan het gebruik alle productinstructies en veiligheidsinformatie in deze gebruiksaanwijzing zorgvuldig door en volg de instructies tijdens het gebruik. Onjuist gebruik kan tot verwondingen leiden.

BELANGRIJK – Het product is niet geschikt om door kinderen te worden gebruikt. Het product bevat kleine onderdelen die gevaarlijk kunnen zijn voor kinderen en vooral voor kinderen jonger dan 3 jaar. Houd het product, in het bijzonder de elektronische dop met het UV-C-licht en de batterij, buiten het bereik van kinderen.

GEVAAR – Ultraviolette straling. Kijk niet rechtstreeks in het licht. Direct ultraviolet licht kan irritatie aan de ogen en de huid veroorzaken en mogelijk schadelijk zijn.

De LARQ iQ Cap mag alleen worden gebruikt in combinatie met de LARQ iQ- of LARQ Essential-flessen, het UV-C-licht is alleen getest in combinatie met de LARQ iQ- en LARQ Essential-flessen. BRITA kan de effectiviteit van de toepassing niet garanderen als de LARQ iQ Cap wordt gebruikt met een alternatief flessysteem dat niet is getest.

WAARSCHUWING! Het product bevat een RG-3 UV-LED die UV-straling uitzendt. Vermijd contact met ogen en huid als de lamp niet is afgeschermd. Risico op huid- of oogletsel.

Voorzichtig! Schakel het UV-licht uit voordat je het opent! Het UV-licht mag niet worden ingeschakeld als de dop niet op de fles is geschroefd.

De LARQ iQ Cap mag niet worden geopend, gemanipuleerd of gewijzigd. Als de fles of een van de onderdelen niet naar behoren functioneert of defect is, stop dan onmiddellijk met het gebruik. Het apparaat mag niet zonder toestemming worden gerepareerd. In het bijzonder mag de UV-LED alleen worden gerepareerd door een gekwalificeerde expert.

De LARQ iQ Cap met UV-C-licht is een elektrisch apparaat. Open de interne circuits niet, stel ze niet bloot, wijzig ze niet en raak ze niet aan, want dit kan elektrische schokken veroorzaken.

Het verwijderen of manipuleren van de elektronische printplaat van de UV-C-licteenheid kan leiden tot persoonlijk letsel of schade aan het product waardoor alle garanties komen te vervallen. Om gevaar of een elektrische schok te voorkomen, dien je dit

product uit de buurt van regen en vloeistoffen te bewaren. Gebruik de oplader niet in de buurt van water, bijvoorbeeld bij een badkuip, wastafel, aanrecht, wasbak of zwembad.

Maak de buitenkant van het product schoon met een schone, vochtige doek. Gebruik nooit sterke reinigingssprays, vloeistoffen of vergelijkbare chemicaliën.

Zorg er bij het schoonmaken van de LARQ iQ Cap voor dat de USB-C-poort op de dop door je hand wordt bedekt, zodat er tijdens het schoonmaken geen water kan binnendringen.

Sluit de adapter tijdens het opladen alleen aan zoals beschreven in de gebruiksaanwijzing. Alleen volwassenen mogen de batterij opladen. Laad het apparaat niet op met een andere USB-kabel dan de USB-kabel die bij de LARQ iQ is meegeleverd.

VOORZICHTIG! Het apparaat kan oververhit raken als de op-laadspanning te hoog is (meer dan 5 V). Bij contact met de huid bestaat brand- en verbrandingsgevaar. Koppel het apparaat los van de voeding, laat het gecontroleerd afkoelen en gooi het op de juiste manier weg.

VOORZICHTIG! Verwijder de dop niet terwijl de UV-C-lichtcyclus loopt. Als de dop tijdens een schoonmaakcyclus wordt verwijderd zonder de schoonmaakcyclus eerst te annuleren, activeert de LARQ iQ een veiligheidsmodus. In de veiligheidsmodus schakelt de UV-LED over naar een bedrijfstoestand waarin het veilig is voor mensen voor de rest van de cyclus.

Om een schoonmaakcyclus te annuleren, druk je eerst op de knop bovenop de dop en verwijder je vervolgens voorzichtig de dop. Gebruik de LARQ iQ Cap niet als lichtbron.

Stel het product niet bloot aan temperaturen onder het vriespunt of buitentemperaturen hoger dan 32 °C.

Gebruik de LARQ iQ Cap niet in containers zoals laboratoriumbekers.

Het UV-C-licht van de LARQ iQ Cap is niet bedoeld voor het desinfecteren van water op de rand of buitenkant van de fles of dop, waar het licht niet bij kan. Het is niet bedoeld om de buitenkant van een drinkcontainer te desinfecteren, inclusief de oppervlakken die tijdens het drinken in contact komen met de mond. Zorg ervoor dat de fles en de dop goed zijn schoongemaakt voordat je deze gebruikt.

Zoals bij elk waterbehandelingssysteem moet je altijd een alternatieve waterbehandelingsmethode hebben.

Vermijd contact van UV-C-straling met de ogen en huid en zorg ervoor dat het geen effect heeft op mensen of dieren. Gebruik het

apparaat niet als de LARQ iQ Cap of het UV-C-licht gebarsten, geschilferd of beschadigd is. Neem contact op met BRITA voor meer informatie over de juiste manier van weggooien of retourneren. Hoewel er zorgvuldig gecontroleerde microbiologische testen zijn uitgevoerd, kan het gebruik van het UV-C-licht van de LARQ iQ Cap door consumenten ter plekke leiden tot resultaten die afwijken van de testgegevens in het laboratorium.

CONFORMITEITSVERKLARING

BRITA SE verklaart hierbij dat het type radiozender BRITA LARQ iQ voldoet aan Richtlijn 2014/53/EU. De volledige tekst van de EU-conformiteitsverklaring is op aanvraag verkrijgbaar.

TECHNISCHE SPECIFICATIES

Model	680 ml	1000 ml
Afmetingen (mm)	Ø 74.5 x 254	Ø 83 x 288
Gewicht (g)	376	439
Model	iQ Cap	
Radio	Frequentieband	2.4 GHz (2402 - 2480 MHz)
	Max. Uitgangsvermogen RF-transmissie (RF Tx)	-0.48 mW (-3.23 dBm)
	Referentiewaarden	0.475 mW (-3.23 dBm) @ 2402 MHz 0.411 mW (-3.86 dBm) @ 2480 MHz
	EIRP (EU max. limiet)	< 10 dBm
Veiligheid	Beschermingsklasse	III
Batterij	Fabrikant	HuNan Grand-Pro Tech Co., Ltd.
	Adress	Kruispunt van Shihu Ave en Linjing 2nd Rd, Suxian District, 423000 Chenzhou, Hunan, VOLKSREPUBLIC CHINA
	Site web	grand-pro.com
	E-mail	grand-pro@grand-pro.com
	Type	Opladbare lithium-ionbatterij
	Model	PL902037 (1ICP9/21/38)
	Spanning	3.7 V DC
	Capaciteit (nominaal)	700 mAh
	Energie	2.59 Wh
	Gewicht (ongeveer)	13 g
	Chemie	LiCoO ₂ , Grafiet, LiPF ₆
	Fabriek	Behalve Chenzhou Great Housing Industry Co., Ltd. (ID: 089687)
	Adress	Kruispunt van Shihu Ave en Linjing 2nd Rd, Suxian District, 423000 Chenzhou, Hunan, VOLKSREPUBLIC CHINA
	Productiedatum	Zie het batterijtypeplaatje (JJJMMDD)
	Batchnummer	Zie het batterijtypeplaatje (JJJMMDD)
	Andere gevaarlijke stoffen dan Hg/CD/PB	niet van toepassing
	Bruikbaar blusmiddel	Chemische brandblusser koolstofdioxide (CO ₂) of droog
Kritische grondstoffen > 0,1 % (m/m)	niet van toepassing	

VÓÓR INGEBRUIKNAME

A De fles opladen

Sluit de meegeleverde USB-C-oplaadkabel aan om op te laden. Voorzichtig: Gebruik alleen USB-voedingen met een uitgangsspanning van 5 V. Zodra de dop oplicht, is de BRITA LARQ iQ-fles klaar voor gebruik. De oplaadbare batterij is volledig opgeladen als het groene lampje continu brandt.

B Download de BRITA-app

Volg de instructies in de app en stel je persoonlijke drinkprofiel in.

C Schoonmaken en hygiëne

Maak de fles, de dop en het rietje (inclusief adapter) schoon met een mild schoonmaakmiddel. Zorg er bij het schoonmaken van de LARQ iQ Cap voor dat de USB-C-poort op de dop door je hand wordt bedekt, zodat er tijdens het schoonmaken geen water kan binnendringen.

De dop is niet vaatwasserbestendig.

D DE FILTER IN GEBRUIK NEMEN

- 1 Houd de filter 10 seconden onder koud, stromend water.
- 2 Plaats de filter in de behuizing met de opening naar het rietje gericht.
- 3 Sluit en draai het onderste gedeelte van de behuizing vast, gebruik de adapter om het rietje op het deksel te bevestigen.
- 4 Houd rekening met het maximale watervulniveau voor een optimale werking. De fles is niet geschikt voor gebruik met heet water.

⚠ VULLEN

Gebruik geen heet water.



Gebruik alleen leidingwater van drinkwaterkwaliteit zonder bezinksel. Gebruik geen koolzuurhoudend water.

Het meten van de vloeistofinname

Om de vloeistofinname nauwkeurig te kunnen bepalen, plaats je de gesloten fles met de dop erop op een vlakke ondergrond nadat je hebt gedronken of bijgevuld. Binnen 5 seconden nadat de hoeveelheid water is gemeten, gaat er een wit lampje branden.

INSTELLINGEN

E PureVis UV-C Modus

- 1 Druk eenmaal op : Normale modus (pulserend blauw lampje).
- 2 Druk twee keer op de knop : Krachtig schoonmaken (knippend blauw lampje).

- 3 Het UV-C-licht start elke twee uur automatisch de zelfreinigende modus.

Hydratatie

Hydratatietracking – pulserend wit lampje.

Herinnering voor drinken – knipperend wit lampje.

Hydratatietracking werkt het beste als je de fles na het drinken of vullen op een vlakke ondergrond plaatst.

Binnen 5 seconden nadat de hoeveelheid water is gemeten, gaat er een wit lampje branden

Batterijstatus

Batterij bijna leeg – groen lampje knippert twee keer voor elke PureVis UV-C-modus.

Opladen – pulserend groen lampje. Volledig opgeladen – groen lampje brandt continu.

Foutmelding

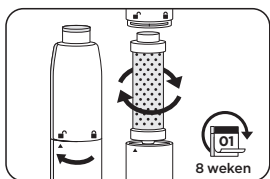
De dop is niet vastgeschroefd – oranje lampje brandt continu. De watervulling is te heet – pulserend oranje lampje.

Batterijprobleem – pulserend paars lampje. Groot probleem – pulserend rood lampje. Neem contact op met www.brita.net.

VERZORGING EN ONDERHOUD

Filter vervangen

Een filter kan maximaal 150 liter water filteren. We raden aan om de filter minstens om de 8 weken te vervangen. Gebruikte filters kunnen worden weggegooid als huishoudelijk afval.



Schoonmaken

Maak de fles, de dop en het rietje (inclusief adapter) schoon met een mild schoonmaakmiddel. Spoel de fles minstens één keer per maand om met warm zeepwater. De dop en de filter zijn niet vaatwasserbestendig.



VERWIJDERING

Het symbool van de “doorgestreepte vuilnisbak” geeft aan dat elektrische en elektronische apparaten aan het einde van hun levensduur (AEEA) gescheiden moeten worden afgevoerd.

Elektrische en elektronische apparaten kunnen waardevolle, maar gevaarlijke en milieubelastende stoffen bevatten. De LARQ iQ Cap bevat een oplaadbare lithium-polymeerbatterij. Gooi de LARQ iQ Cap niet weg als huishoudelijk afval. Er is een inzamelsysteem voor elektrisch afval en apparaten zoals de LARQ iQ Cap. Neem alle toepasselijke voorschriften en wettelijke vereisten voor het weggooien van elektronische onderdelen in acht en breng de dop naar het aangewezen inzamelpunt voor elektronische producten. Correcte verwijdering zorgt ervoor dat elektronisch afval en elektronische apparaten op de juiste manier worden gerecycled en hergebruikt. Gooi de LARQ iQ/LARQ iQ Cap en de LARQ Filter op verantwoorde wijze weg volgens de plaatselijke voorschriften. Controleer of de LARQ Filter onbeschadigd is.

BELANGRIJKE OPMERKINGEN

De LARQ iQ/LARQ iQ Cap mag alleen worden gebruikt met gemeentelijk behandeld koud leidingwater dat wordt geleverd door het plaatselijke waterleidingbedrijf. Dit water wordt voortdurend bewaakt en is veilig om te drinken in overeenstemming met de wettelijke voorschriften. Gebruik niet met water van onbekende kwaliteit. Afhankelijk van de waterbron kan het raadzaam zijn om extra voorzorgsmaatregelen te nemen bij het gebruik van de LARQ iQ/LARQ iQ Cap om de veiligheid van het water te garanderen. Als de autoriteiten het publiek hebben meegedeeld dat leidingwater moet worden gekookt, dan moet het water dat is geoptimaliseerd met LARQ iQ/LARQ iQ Cap ook worden gekookt. Zodra de instructies over kokend water niet meer van toepassing zijn, maak je de LARQ iQ/LARQ iQ Cap grondig schoon en plaats je een nieuw LARQ Filter. Kraanwater koken wordt over het algemeen aanbevolen voor baby's en mensen met een zwak immuunsysteem. Water is een levensmiddel, bestemd voor menselijke consumptie.

Maak daarom het water in je fles binnen een dag op. Als je de LARQ iQ/LARQ iQ Cap langere tijd niet gebruikt, schroef je de fles los en bewaar je de afzonderlijke onderdelen op een droge plaats.

Bewaar reservefilters altijd op een koele en droge plaats in een stevig afgesloten container. De filter is een natuurproduct; dit kan betekenen dat er lichte slijtage van kleine koolstofdeeltjes optreedt,

zowel in de verpakking als in het gefilterde water. Deze deeltjes hebben geen invloed op je gezondheid en zijn niet gevaarlijk als ze worden ingeslikt. Als je koolstofdeeltjes in je gefilterde water ontdekt, raden we je aan de filter grondig van alle kanten te spoelen.

Filteren zorgt aanvankelijk voor een lichte verhoging van het kaliumgehalte van het water. Dit is onschadelijk (1 liter BRITA gefilterd water bevat bijvoorbeeld minder kalium dan een appel). Als je lijdt aan een nierziekte en/of een speciaal kaliumdieet moet volgen, bespreek het gebruik van een BRITA waterfilter dan van tevoren met je arts.

Vrijwaring van aansprakelijkheid

Het gebruik van het product is op eigen risico. Je wordt geacht het product vrijwillig en met volledige kennis van de inherente en/of geassocieerde risico's te gebruiken en dat je alle risico's aanvaardt en accepteert die kunnen worden geassocieerd met of voortvloeien uit het bezit of gebruik van het product.

Heb je nog vragen?

Bezoek ons dan op www.brita.net

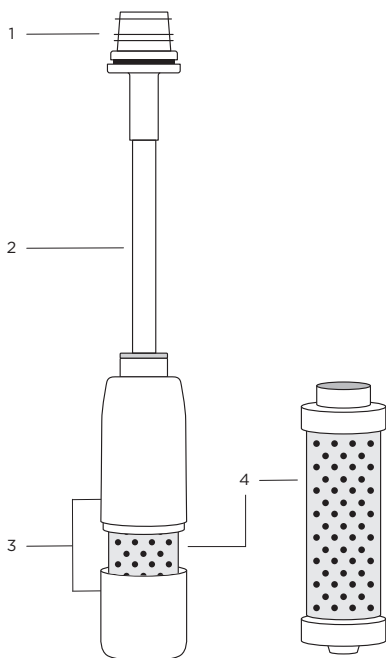


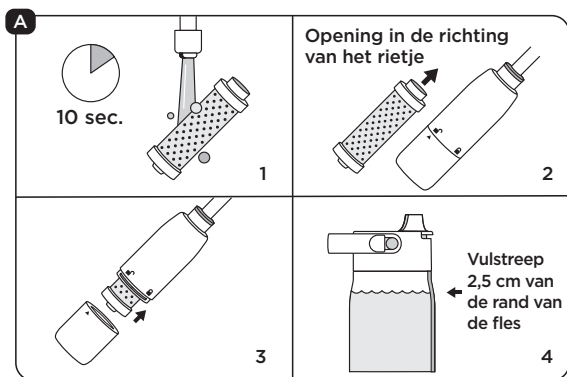
USB-C 5V=700mAh
IPX7

LARQ Filter / LARQ Filter Upgrade Kit

NL

- 1 - Adapter
- 2 - Rietje
- 3 - Filterbehuizing
- 4 - LARQ Filter





BELANGRIJKE VEILIGHEIDSINFORMATIE

Lees voorafgaand aan het gebruik alle productinstructies en veiligheidsinformatie in deze gebruiksaanwijzing zorgvuldig door en volg de instructies tijdens het gebruik. Onbedoeld gebruik kan tot verwondingen leiden.

BELANGRIJK – Het product is niet geschikt om door kinderen te worden gebruikt. Het product bevat kleine onderdelen die gevaarlijk kunnen zijn voor kinderen en vooral voor kinderen jonger dan 3 jaar. Houd het product buiten bereik van kinderen.

Maak de buitenkant van het product schoon met een schone, vochtige doek. Gebruik nooit sterke reinigingssprays, vloeistoffen of vergelijkbare chemicaliën.

Stel het product niet bloot aan temperaturen onder het vriespunt of buitentemperaturen hoger dan 32 °C.

Zoals bij elk waterbehandelingssysteem moet je altijd een alternatieve waterbehandelingsmethode hebben.

SCHOONMAKEN VÓÓR HET EERSTE GEBRUIK

Maak het rietje (inclusief adapter) schoon met een mild schoonmaakmiddel. De onderdelen van de filterupgradeset (met uitzondering van de filter) zijn vaatwasserbestendig.

A DE FILTER IN GEBRUIK NEMEN

- 1 Houde de filter 10 seconden onder koud, stromend water.
- 2 Plaats de filter in de behuizing met de opening naar het rietje gericht.
- 3 Sluit en draai het onderste gedeelte van de behuizing vast, gebruik de adapter om het rietje op het deksel te bevestigen.
- 4 Houde rekening met het maximale watervulniveau voor een optimale werking. De fles is niet geschikt voor gebruik met heet water.

⚠ VULLEN

Gebruik geen heet water.

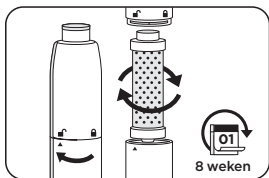
Gebruik alleen leidingwater van drinkwaterkwaliteit zonder bezinksel.

Gebruik geen koolzuurhoudend water.

VERZORGING EN ONDERHOUD

Filter vervangen

Een filter kan maximaal 150 liter water filteren. We raden aan om de filter minstens om de 8 weken te vervangen. Gebruikte filters kunnen worden weggegooid als huishoudelijk afval.



Schoonmaken

Maak het rietje (inclusief adapter) schoon met een mild schoonmaakmiddel. De onderdelen van de filterupgradeset (met uitzondering van het filter) zijn vaatwasserbestendig.

VERWIJDERING

Gooi de LARQ Filter op verantwoorde wijze weg, in overeenstemming met de plaatselijke voorschriften. Controleer of de LARQ Filter onbeschadigd is.

BELANGRIJKE OPMERKINGEN

De LARQ Filter mag alleen worden gebruikt met gemeentelijk behandeld koud leidingwater dat wordt geleverd door het plaatselijke waterleidingbedrijf. Dit water wordt voortdurend bewaakt en is veilig om te drinken in overeenstemming met de wettelijke voorschriften. Gebruik niet met water van onbekende kwaliteit. Afhankelijk van de waterbron kan het raadzaam zijn om extra voorzorgsmaatregelen te nemen bij het gebruik van de LARQ Filter om de veiligheid van het water te garanderen. Als de autoriteiten het publiek hebben meegedeeld dat leidingwater moet worden gekookt, dan moet het water dat is geoptimaliseerd met de LARQ filter ook worden gekookt.

Zodra de instructies over kokend water niet meer van toepassing zijn, dien je de LARQ-fles grondig schoon te maken en een nieuw LARQ Filter te plaatsen. Kraanwater koken wordt over het algemeen aanbevolen voor baby's en mensen met een zwak immuunsysteem. Water is een levensmiddel, bestemd voor menselijke consumptie.

Maak daarom het water in je fles binnen een dag op. Als je de LARQ-fles langere tijd niet gebruikt, schroef de fles dan los en bewaar de afzonderlijke onderdelen op een droge plaats.

Bewaar reservefilters altijd op een koele en droge plaats in een stevig afgesloten container. De filter is een natuurproduct; dit kan betekenen dat er lichte slijtage van kleine koolstofdeeltjes optreedt, zowel in de verpakking als in het gefilterde water. Deze deeltjes hebben geen invloed op je gezondheid en zijn niet gevaarlijk als ze worden ingeslikt. Als je koolstofdeeltjes in je gefilterde water ontdekt, raden we je aan de filter grondig van alle kanten te spoelen.

Filteren zorgt aanvankelijk voor een lichte verhoging van het kaliumgehalte van het water. Dit is onschadelijk (1 liter BRITA gefilterd water bevat bijvoorbeeld minder kalium dan een appel). Als je lijdt aan een nierziekte en/of een speciaal kaliumdieet moet volgen, bespreek het gebruik van een BRITA-waterfilter dan van tevoren met je arts.

Vrijwaring van aansprakelijkheid

Het gebruik van het product is op eigen risico. Je wordt geacht het product vrijwillig en met volledige kennis van de inherente en/of geassocieerde risico's te gebruiken en dat je alle risico's aanvaardt en accepteert die kunnen worden geassocieerd met of voortvloeien uit het bezit of gebruik van het product.

Heb je nog vragen?

Bezoek ons dan op www.brita.net



Fabrikant: BRITA SE, Heinz-Hankammer-Straße 1, D-65232 Taunusstein, Germany,
Tel.: +49 800 500 19 19, www.brita.net

Distributeur: BRITA SE, Heinz-Hankammer-Straße 1 D-65232 Taunusstein, Klienten-
service: Tel.: +49 800 500 19 19



LARQ

Informazioni per l'uso

LARQ Essential, LARQ iQ / LARQ iQ Cap,
LARQ Filter / LARQ Filter Upgrade Kit





Indice

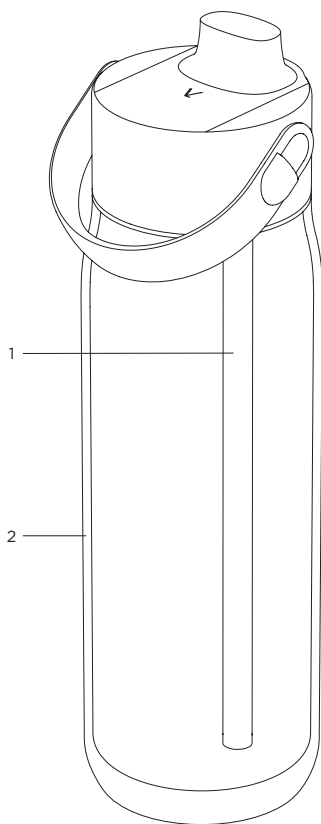
LARQ Essential _____	89
LARQ iQ / LARQ iQ Cap _____	92
LARQ Filter / LARQ Filter Upgrade Kit _____	103

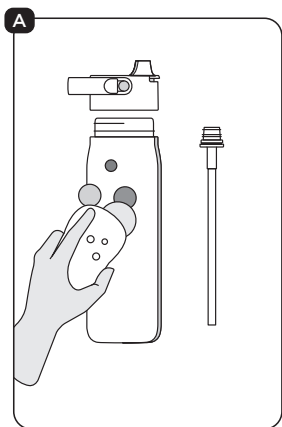
LARQ Essential

IT

1 - Cannuccia

2 - Acciaio inox termico a doppia
parete





INFORMAZIONI IMPORTANTI PER LA SICUREZZA

Leggere con attenzione tutte le istruzioni e le informazioni per la sicurezza del prodotto in questo manuale di istruzioni prima dell'uso e seguire le disposizioni durante l'uso. L'uso improprio può causare infortuni.

IMPORTANTE - Il prodotto non è adatto ai bambini. Il prodotto contiene piccoli componenti che possono essere pericolosi per i bambini, in particolare sotto i 3 anni d'età. Tenere fuori dalla portata dei bambini.

Pulire l'esterno del prodotto con un panno pulito e umido. Non usare mai spray o liquidi detergenti aggressivi o sostanze chimiche simili.

Non esporre il prodotto a temperature inferiori allo zero o temperature esterne superiori ai 32 °C.

A PULIRE PRIMA DEL PRIMO UTILIZZO

Pulire la borraccia, il tappo e la cannucchia (incluso l'adattatore) con un prodotto per la pulizia delicato. Tutti i componenti possono essere lavati in lavastoviglie.

⚠ RIEMPIMENTO

Non usare acqua calda.

Usare solo acqua di rubinetto potabile di qualità senza sedimenti.

Non usare acqua frizzante.

CURA

Pulire la borraccia, il tappo e la cannuccia (incluso l'adattatore) con un prodotto per la pulizia delicato o in lavastoviglie.

SMALTIMENTO

Smaltire LARQ Essential in modo responsabile in conformità con le normative locali.

SUGGERIMENTO IMPORTANTE

LARQ Essential può essere usata solo con acqua fredda di rubinetto proveniente dall'acquedotto comunale e fornita dall'ente erogatore locale. Quest'acqua viene monitorata costantemente ed è sicura da bere in conformità con le normative locali. Non usare con acqua di qualità ignota. A seconda della fonte d'acqua, può essere consigliabile adottare precauzioni aggiuntive quando si usa LARQ Essential per garantire la sicurezza dell'acqua. Quando le istruzioni sull'acqua bollita non sussistono più, pulire accuratamente LARQ Essential. Bollire l'acqua di rubinetto è generalmente raccomandato per neonati e persone con sistema immunitario fragile. L'acqua è un alimento inteso per il consumo umano. Si deve quindi consumare l'acqua all'interno della bottiglia entro un giorno. Se non si usa LARQ Essential per un lungo periodo di tempo, svitare il tappo della bottiglia e riporre le singole parti in un luogo asciutto.

ESCLUSIONE DI RESPONSABILITÀ

Usare il prodotto a proprio rischio. Si presume che si stia utilizzando volontariamente il prodotto e con la piena consapevolezza che vi siano rischi inerenti e/o associati, e che si assuma e accetti tutti i rischi che possono essere associati o che emergano dal possesso e dall'uso del prodotto.

Domande?

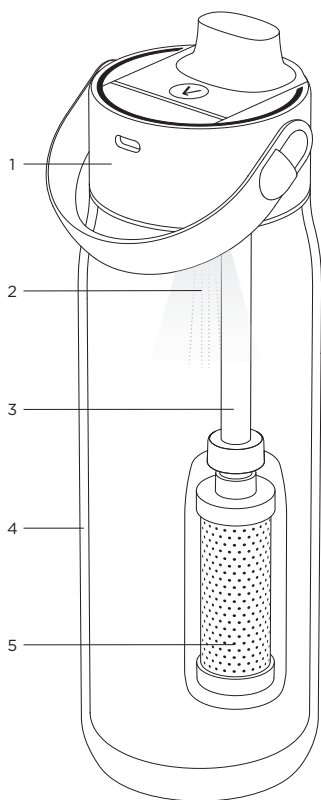
Visita il nostro sito www.brita.net



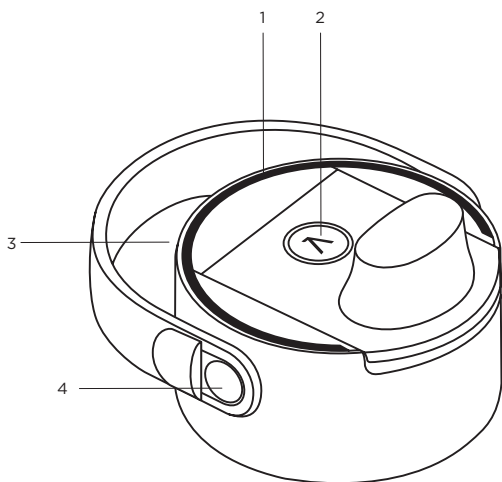
LARQ iQ

IT

- 1 - Tappo
- 2 - PureVis UV-C LED
- 3 - Cannuccia
- 4 - Borraccia in acciaio inox termica a doppia parete
- 5 - Alloggiamento del filtro con LARQ Filter



LARQ iQ Cap



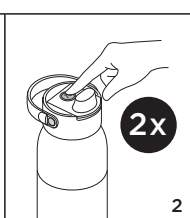
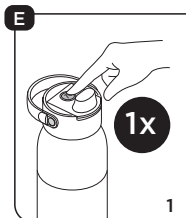
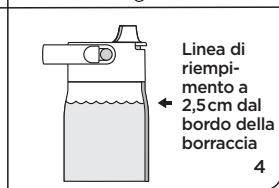
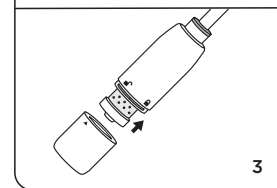
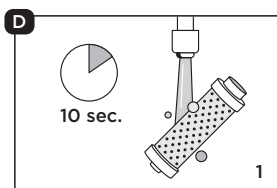
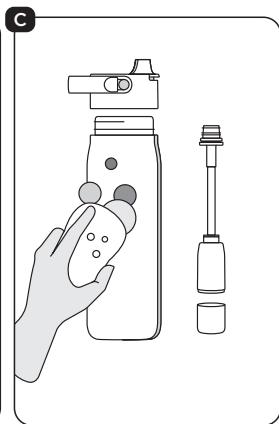
IT

1 - Tecnologia di tracciamento dell'idratazione intelligente

2 - PureVis UV-C LED

3 - Connessione USB-C

4 - Blocco a maniglia



INFORMAZIONI IMPORTANTI PER LA SICUREZZA

Leggere con attenzione tutte le istruzioni e le informazioni per la sicurezza del prodotto in questo manuale di istruzioni prima dell'uso e seguire le disposizioni durante l'uso. L'uso improprio può causare infortuni.

IMPORTANTE - Il prodotto non è adatto ai bambini. Il prodotto contiene piccoli componenti che possono essere pericolosi per i bambini, in particolare sotto i 3 anni d'età. Tenere il prodotto, in particolare il tappo elettronico con il gruppo luce UV-C e batteria, lontano dalla portata dei bambini.

PERICOLO - radiazioni ultraviolette. Non guardare mai direttamente verso la luce. La luce ultravioletta diretta può causare irritazioni agli occhi e alla pelle e può essere potenzialmente dannosa.

Il LARQ iQ Cap può essere usato solo con la borraccia LARQ iQ o LARQ Essential, la luce UV-C è stata testata solo con le borracce LARQ iQ e LARQ Essential. BRITA non garantisce l'efficacia dell'applicazione se il LARQ iQ Cap viene usato con sistemi di borracce alternativi che non sono stati testati.

AVVERTENZA! Il prodotto contiene un LED RG-3 UV che emette radiazioni UV. Evitare il contatto con occhi e pelle se la lampada non è schermata. Rischio di danni a pelle e occhi.

Attenzione! Spegnere la luce UV prima di aprire! La luce UV non deve essere accesa se il tappo non è avvitato alla borraccia.

Il LARQ iQ Cap non deve essere aperto, manipolato o modificato. Se la borraccia o uno dei componenti non funziona come dovrebbe o è difettoso, interrompere l'uso immediatamente. L'apparecchiatura non deve essere riparata senza autorizzazione. In particolare, il LED UV può essere riparato solo da un esperto qualificato.

Il LARQ iQ Cap con luce UV-C è un dispositivo elettrico. Non aprire, esporre, modificare o toccare i circuiti elettrici poiché può causare elettrocuzione.

Rimuovere o manomettere la scheda dei circuiti elettrici del gruppo luce UV-C può causare infortuni a persone o danneggiare il prodotto e rendere nulle tutte le garanzie.

Per evitare danni o elettrocuzione, riporre il prodotto lontano da acqua e liquidi. Non usare il caricabatterie vicino all'acqua, per esempio vicino a una vasca da bagno, un catino, il lavello della cucina, la bacinella del bucato o la piscina.

Pulire l'esterno del prodotto con un panno pulito e umido. Non usare mai spray o liquidi detergenti aggressivi o sostanze chimiche simili.

Quando si pulisce il LARQ iQ Cap, assicurarsi che la porta USB-C sul tappo sia coperta con la mano in modo che l'acqua non possa penetrare durante la pulizia.

Quando è in carica, collegare l'adattatore solo come descritto nel manuale d'uso. La batteria deve essere caricata solo dagli adulti. Non ricaricare il dispositivo con un cavo USB diverso da quello fornito con LARQ iQ.

ATTENZIONE! Il dispositivo si può surriscaldare se il voltaggio della carica è troppo alto (oltre 5 V). In caso di contatto con la pelle c'è il rischio di scottature e incendio. Disconnettere il dispositivo dalla corrente elettrica, permetterne il raffreddamento in modo controllato e disporre in modo adeguato.

ATTENZIONE! Non rimuovere il tappo mentre il ciclo della luce UV-C è in corso. Se il tappo viene rimosso durante un ciclo di pulizia senza prima annullare il ciclo stesso, LARQ iQ attiva una modalità di sicurezza. Nella modalità di sicurezza, la luce UV-C passa allo stato operativo che risulta sicuro per gli esseri umani per il resto del ciclo.

Per annullare il ciclo di pulizia, premere prima il tasto sul tappo e poi rimuovere il tappo con attenzione.

Non usare il LARQ iQ Cap come fonte di luce.

Non esporre il prodotto a temperature inferiori allo zero o temperature esterne superiori ai 32 °C.

Non usare il tappo LARQ iQ in contenitori come i becher da laboratorio.

La luce UV-C di LARQ iQ Cap non è destinata a disinfettare l'acqua sul bordo o sulle superfici esterne della bottiglia o del tappo che la luce non può raggiungere. Non è destinata a disinfettare le superfici esterne di contenitori per bere, incluse superfici che sono tipicamente in contatto con la bocca quando si beve. Assicurarsi che la borraccia e il tappo siano puliti in modo adeguato prima dell'uso.

Come qualsiasi altro sistema di trattamento dell'acqua, si deve sempre avere un metodo alternativo di trattamento dell'acqua. Evitare il contatto delle radiazioni UV-C con occhi e pelle e assicurarsi che non colpisca persone o animali. Non usare il dispositivo se LARQ iQ Cap o il gruppo luce UV-C sono rotti, scheggiati o danneggiati. Contattare BRITA per ulteriori informazioni sullo smaltimento conforme o sulla restituzione. Nonostante i test microbiologici controllati siano stati eseguiti con attenzione, l'uso della luce UV-C di LARQ iQ Cap da parte dei consumatori può portare a risultati differenti dai dati dei test di laboratorio.

DICHIARAZIONE DI CONFORMITÀ

Con la presente, BRITA SE dichiara che l'emettitore radio tipo BRITA LARQ iQ è conforme alla Direttiva 2014 / 53 / EU. Il testo completo della Dichiarazione di conformità UE è disponibile su richiesta.

SPECIFICHE TECNICHE

Modello	680 ml	1000 ml
Dimensioni (mm)	Ø 74.5 x 254	Ø 83 x 288
Peso (g)	376	439
Modello	iQ Cap	
Radio	Banda di frequenza	2.4 GHz (2402 - 2480 MHz)
	Max. Potenza di uscita della trasmissione RF (RF Tx)	-0.48 mW (-3.23 dBm)
	Valori di riferimento	0.475 mW (-3.23 dBm) @ 2402 MHz 0.411 mW (-3.86 dBm) @ 2480 MHz
	EIRP (EU max. limite)	< 10 dBm
Sicurezza	Classe di protezione	III
Batteria	Produttore	HuNan Grand-Pro Tech Co., Ltd.
	Indirizzo	Intersezione tra Shihu Ave e Linjing 2nd Rd, Suxian District, 423000 Chenzhou, Hunan, REPUBBLICA POPOLARE CINESE
	Web	grand-pro.com
	E-mail	grand-pro@grand-pro.com
	Tipo	Batteria ricaricabile agli ioni di litio
	Modello	PL902037 (IICP9/21/38)
	Tensione	3.7 V DC
	Capacità (nominale)	700 mAh
	Energia	2.59 Wh
	Peso (appross.)	13 g
	Chimica	LiCoO2, Grafite, LiPF6
	Fabbrica	Oltre a Chenzhou Great Housing Industry Co., Ltd. (ID: 089687)
	Indirizzo	Intersezione tra Shihu Ave e Linjing 2nd Rd, Suxian District, 423000 Chenzhou, Hunan, REPUBBLICA POPOLARE CINESE
	Data di produzione	Vedere la targhetta di identificazione della batteria (AAAAMMGG)
	Numero di lotto	Vedere la targhetta di identificazione della batteria (AAAAMMGG)
	Sostanze pericolose diverse da Hg/Cd/Pb	non applicabile
Agente estinguente utilizzabile	Estintore chimico diossido di carbonio (CO2) o secco	
Materie prime critiche > 0,1 % (p/p)	non applicabile	

PRIMA DEL PRIMO UTILIZZO

A Caricare la borraccia

Connettere il cavo di ricarica USB-C incluso nella dotazione della fornitura per caricare. Attenzione: usare solo alimentatori USB con tensione in uscita di 5 V. Quando il tappo si illumina, la bottiglia BRITA LARQ iQ è pronta all'uso. Quando la luce verde rimane accesa la batteria è completamente carica.

B Scaricare l'app BRITA

Seguire le istruzioni nell'app e impostare il profilo personale di consumo di acqua.

C Pulizia e igiene

Pulire la borraccia, il tappo e la cannuccia (incluso l'adattatore) con un prodotto per la pulizia delicato. Quando si pulisce il LARQ iQ Cap, assicurarsi che la porta USB-C sul tappo sia coperta con la mano in modo che l'acqua non possa penetrare durante la pulizia. **Il coperchio non è lavabile in lavastoviglie.**

D MESSA IN FUNZIONE DEL FILTRO

- 1 Tenere il filtro sotto l'acqua corrente fredda per 10 secondi.
- 2 Inserire il filtro nell'alloggiamento con l'apertura verso la cannuccia.
- 3 Chiudere e stringere la sezione inferiore dell'alloggiamento, usare un adattatore per fissare la cannuccia al tappo.
- 4 Rispettare il livello massimo di riempimento d'acqua per assicurare una funzionalità ottimale. La bottiglia non è adatta all'uso con acqua calda.

RIEMPIMENTO

Non usare acqua calda.

Usare solo acqua di rubinetto potabile di qualità senza sedimenti.



Non usare acqua frizzante.

Misurare l'assunzione di liquidi

Per poter determinare in modo accurato l'assunzione di liquidi, posizionare la bottiglia chiusa con il tappo in posizione corretta su una superficie piana dopo aver bevuto o averla riempita. Una luce bianca si illumina entro 5 secondi dopo che la quantità d'acqua è stata calcolata.

IMPOSTAZIONI

E Modalità PureVis UV-C

- 1 Premere una volta : Modalità normale (luce blu pulsante).
- 2 Premere una volta il tasto : Pulizia potente (luce blu intermittente).

- 3 La luce UV-C inizia automaticamente la modalità di autopulizia ogni due ore.

Idratazione

Tracciamento dell'idratazione - luce bianca pulsante.

Promemoria per bere - luce bianca intermittente.

Il tracciamento dell'idratazione funziona al meglio se si posiziona la bottiglia su una superficie piana dopo aver bevuto o averla riempita.

Una luce bianca si illumina entro 5 secondi dopo che la quantità d'acqua è stata calcolata.

Stato della batteria

Batteria scarica - la luce verde lampeggia due volte prima di ogni modalità PureVis UV-C.

In carica - luce verde pulsante.

Completamente carica - verde sempre acceso.

MESSAGGIO DI ERRORE

Il tappo non è avvitato - arancione sempre acceso.

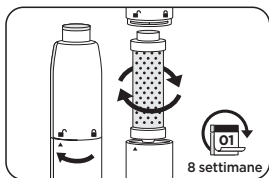
L'acqua è troppo calda - luce arancione pulsante.

Problema della batteria - luce viola pulsante. Problema grave - luce rossa pulsante. Contattare www.brita.net.

CURA E MANUTENZIONE

Cambio del filtro

Un filtro può filtrare fino a 150 litri d'acqua. Si raccomanda di sostituire il filtro almeno ogni 8 settimane. I filtri usati possono essere smaltiti nei rifiuti domestici.



Pulizia

Pulire la borraccia, il tappo e la cannuccia (incluso l'adattatore) ogni settimana con un prodotto per la pulizia delicato. Risciacquare la borraccia con acqua calda saponata almeno una volta al mese. **Il coperchio non è lavabile in lavastoviglie.**



SMALTIMENTO

Il simbolo del “bidone barrato” indica che i rifiuti di apparecchiature elettriche ed elettroniche (WEEE) devono essere smaltiti separatamente. Apparecchiature elettriche ed elettroniche possono contenere sostanze preziose ma pericolose e rischiose per l'ambiente. Il LARQ iQ Cap contiene una batteria ricaricabile ai polimeri di litio. Non smaltire il LARQ iQ Cap nei rifiuti domestici. Esiste un sistema di raccolta per gli scarti e i dispositivi come il LARQ iQ Cap. Rispettare tutte le normative e gli obblighi di legge applicabili per lo smaltimento di componenti elettronici e portare il LARQ iQ Cap nel punto di raccolta designato per i prodotti elettronici. Lo smaltimento conforme assicura che i rifiuti elettronici e le apparecchiature siano riciclate e riutilizzate correttamente. Smaltire LARQ iQ /LARQ iQ Cap e il LARQ Filter in modo responsabile in linea con le normative locali. Assicurarsi che il LARQ Filter non sia danneggiato.

SUGGERIMENTI IMPORTANTI

LARQ iQ / il tappo LARQ iQ può essere usato solo con l'acqua fredda di rubinetto proveniente dall'acquedotto comunale e fornita dall'ente erogatore locale. Quest'acqua viene monitorata costantemente ed è sicura da bere in conformità con le normative locali. Non usare con acqua di qualità ignota. A seconda della fonte d'acqua, può essere consigliabile adottare precauzioni aggiuntive quando si usa LARQ/ LARQ iQ Cap per assicurare la sicurezza dell'acqua. Se le autorità hanno notificato che l'acqua del rubinetto deve essere bollita, allora anche l'acqua ottimizzata LARQ iQ / LARQ iQ Cap deve essere bollita. Quando le istruzioni sull'acqua bollita non sussistono più, pulire accuratamente LARQ iQ / LARQ iQ Cap e inserire un nuovo LARQ Filter. Bollire l'acqua di rubinetto è generalmente raccomandato per neonati e persone con sistema immunitario fragile. L'acqua è un alimento inteso per il consumo umano.

Si deve quindi consumare l'acqua all'interno della bottiglia entro un giorno. Se non si usa LARQ iQ/ LARQ iQ Cap per un lungo periodo di tempo, svitare il tappo della borraccia e riporre le singole parti in un luogo asciutto.

Riporre sempre i filtri di riserva in un luogo fresco e asciutto in un contenitore chiuso ermeticamente. Il filtro è un prodotto naturale; questo può causare leggere abrasioni di particelle di carbone sia nell'imballaggio che nell'acqua filtrata. Queste particelle non causano danni alla salute e non sono dannose se inghiottite. Se si

scoprono particelle di carbone nell'acqua filtrata, si raccomanda di sciacquare accuratamente il filtro.

La filtrazione iniziale può causare un leggero aumento del contenuto di potassio nell'acqua. Questo è innocuo (per esempio, 1 litro di acqua filtrata BRITA contiene meno potassio di una mela). Se si soffre di patologie renali e/o si deve seguire una dieta a basso contenuto di potassio, si prega di discutere dell'uso del filtro BRITA con il proprio medico prima dell'uso.

Esonero di responsabilità

Usare il prodotto a proprio rischio. Si presume che si stia utilizzando volontariamente il prodotto e con la piena consapevolezza che vi siano rischi inerenti e/o associati, e che si assuma e accetti tutti i rischi che possano essere associati con o che emergano dal possesso e dall'uso del prodotto.

Domande?

Visita il nostro sito www.brita.net

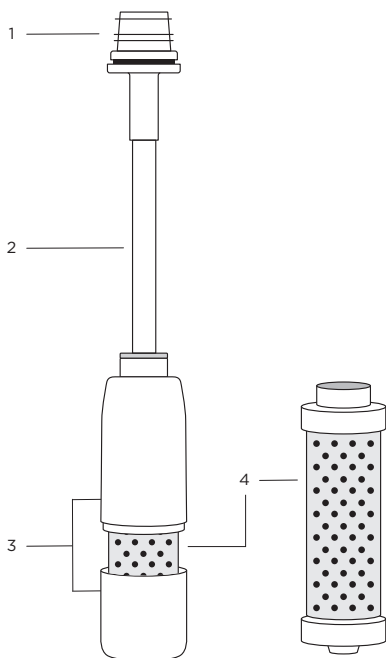


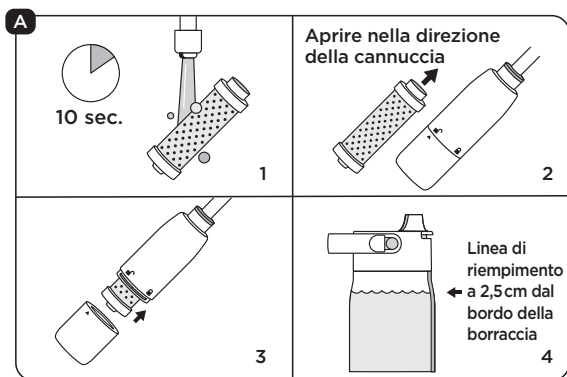
USB-C 5V=700mAh
IPX7

LARQ Filter / LARQ Filter Upgrade Kit

IT

- 1 - Adattatore
- 2 - Cannuccia
- 3 - Alloggiamento del filtro
- 4 - LARQ Filter





INFORMAZIONI IMPORTANTI PER LA SICUREZZA

Leggere con attenzione tutte le istruzioni e le informazioni per la sicurezza del prodotto in questo manuale di istruzioni prima dell'uso e seguire le disposizioni durante l'uso. L'uso improprio può causare infortuni.

IMPORTANTE - Il prodotto non è adatto ai bambini. Il prodotto contiene piccoli componenti che possono essere pericolosi per i bambini, in particolare sotto i 3 anni d'età. Tenere fuori dalla portata dei bambini.

Pulire l'esterno del prodotto con un panno pulito e umido. Non usare mai spray o liquidi detergenti aggressivi o sostanze chimiche simili.

Non esporre il prodotto a temperature inferiori allo zero o temperature esterne superiori ai 32 °C.

Come qualsiasi altro sistema di trattamento dell'acqua, si deve sempre avere un metodo alternativo di trattamento dell'acqua.

PULIRE PRIMA DEL PRIMO UTILIZZO

Pulire la borraccia, il tappo e la cannucchia (incluso l'adattatore) con un prodotto per la pulizia delicato. Le componenti del Kit di upgrade del filtro (con l'eccezione del filtro) sono lavabili in lavastoviglie.

A MESSA IN FUNZIONE DEL FILTRO

- 1 Tenere il filtro sotto l'acqua corrente fredda per 10 secondi.
- 2 Inserire il filtro nell'alloggiamento con l'apertura verso la cannuccia.
- 3 Chiudere e stringere la sezione inferiore dell'alloggiamento, usare un adattatore per fissare la cannuccia al tappo.
- 4 Rispettare il livello massimo di riempimento d'acqua per assicurare una funzionalità ottimale. La borraccia non è adatta all'uso con acqua calda.

⚠ RIEMPIMENTO

Non usare acqua calda.

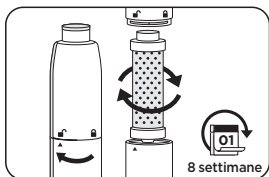
Usare solo acqua di rubinetto potabile di qualità senza sedimenti.

Non usare acqua frizzante.

CURA E MANUTENZIONE

Cambio del filtro

Un filtro può filtrare fino a 150 litri d'acqua. Si raccomanda di sostituire il filtro almeno ogni 8 settimane. I filtri usati possono essere smaltiti nei rifiuti domestici.



Pulizia

Pulire la borraccia il tappo e la cannuccia (incluso l'adattatore) con un prodotto per la pulizia delicato. I componenti del set di upgrade del filtro (con l'eccezione del filtro) sono lavabili in lavastoviglie.

SMALTIMENTO

Smaltire il LARQ Filter in modo responsabile in conformità con le normative locali. Assicurarsi che il LARQ Filter non sia danneggiato.

SUGGERIMENTI IMPORTANTI

Il LARQ Filter può essere usato solo con l'acqua fredda di rubinetto proveniente dall'acquedotto comunale e fornita dall'ente erogatore locale. Quest'acqua viene monitorata costantemente ed è sicura da bere in conformità con le normative locali. Non usare con acqua di qualità ignota. A seconda della fonte d'acqua, può essere consigliabile prendere precauzioni aggiuntive quando si usa il LARQ Filter per assicurare la sicurezza dell'acqua. Se le autorità hanno notificato che l'acqua del rubinetto deve essere bollita, allora anche l'acqua ottimizzata con il LARQ Filter deve essere bollita. Quando le istruzioni sull'acqua bollita non sussistono più, pulire accuratamente la borraccia LARQ e inserire un nuovo LARQ Filter. Bollire l'acqua di rubinetto è generalmente raccomandato per neonati e persone con sistema immunitario fragile. L'acqua è un alimento inteso per il consumo umano.

Si deve quindi consumare l'acqua all'interno della borraccia entro un giorno. Se non si usa la borraccia LARQ per un lungo periodo di tempo, svitare il tappo della borraccia e riporre le singole parti in un luogo asciutto.

Riporre sempre i filtri di riserva in un luogo fresco e asciutto in un contenitore chiuso ermeticamente. Il filtro è un prodotto naturale; questo può causare leggere abrasioni di particelle di carbone sia nell'imballaggio che nell'acqua filtrata. Queste particelle non causano danni alla salute e non sono dannose se inghiottite. Se si scoprono particelle di carbone nell'acqua filtrata, si raccomanda di sciacquare accuratamente il filtro.

La filtrazione iniziale può causare un leggero aumento del contenuto di potassio nell'acqua. Questo è innocuo (per esempio, 1 litro di acqua filtrata BRITA contiene meno potassio di una mela). Se si soffre di patologie renali e/o si deve seguire una dieta a basso contenuto di potassio, si prega di discutere dell'uso del filtro BRITA con il proprio medico prima dell'uso.

Esclusione di responsabilità

Usare il prodotto a proprio rischio. Si presume che si stia utilizzando volontariamente il prodotto e con la piena consapevolezza che vi siano rischi inerenti e/o associati, e che si assuma e accetti tutti i rischi che possano essere associati con o che emergano dal possesso e dall'uso del prodotto.

Domande?

Visita il nostro sito www.brita.net



Ulteriori informazioni sul prodotto.

Apparecchio per il trattamento di acqua potabile.

Attenzione: questa apparecchiatura necessita di una regolare manutenzione periodica al fine di garantire i requisiti di potabilità dell'acqua potabile trattata ed il mantenimento dei miglioramenti come dichiarati dal produttore.

Il prodotto e tutti i materiali a contatto con l'acqua sono conformi al Decreto Ministeriale del 6 aprile 2004, n. 174, al Decreto Legislativo n. 18 del 2023, alla Normativa (CE) n. 1935/2004 nonché agli scopi specifici a cui l'apparecchiatura è destinata, come specificato sia sulla confezione che nel presente manuale. Certificazione delle prestazioni dei filtri durante il periodo di utilizzo secondo modalità di verifica conformi agli standard internazionali*1:

Gusto puro e fresco. Il carbone attivo naturale proveniente dai gusci di cocco filtra*2• cloro e altre sostanze che alterano il gusto • particelle fini $\geq 30 \mu\text{m}$ • tracce di impurità come PFAS*3, alcuni pesticidi, erbicidi e ormoni • I minerali come il calcio (Ca) e il magnesio (Mg) rimangono nell'acqua.

Parametro	Percentuale minima di ritenzione	Standard di riferimento
Cloro libero	98%	NSF/ANSI 42*4
Microparticelle $\geq 30 \mu\text{m}$	98%	NSF/ANSI 42*5
Tracce di impurità come alcuni pesticidi, erbicidi e ormoni	85%	In riferimento a NSF/ANSI 401*6

Le prestazioni del prodotto nella località di applicazione possono differire dalle suddette prestazioni in conformità agli standard di riferimento a causa della composizione dell'acqua locale.

Le sostanze rilasciate dal filtro rimangono ben al di sotto dei rigo-

rosi limiti stabiliti dalla normativa vigente.

Per garantire il corretto funzionamento e l'igiene della borraccia filtrante, è necessario sostituire il filtro BRITA LARQ ogni otto settimane, o quando si raggiungono i 150 litri di filtrazione.

*¹ Parametri dell'acqua secondo le procedure di verifica applicate:

*² Se presenti nell'acqua di rubinetto.

*³ Come PFOS/PFOA (sostanze chimiche perenni). Testato secondo JWPAS B.210.

*⁴ L'acqua di riferimento per la verifica è conforme allo standard NSF/ANSI 42: Concentrazione di cloro libero: 2 mg/l \pm 10 %; pH: 7,5 \pm 0,5; temperatura: 20 °C \pm 3 °C; solidi disciolti totali (TDS): 200 - 500 mg/l; carbone organico totale (TOC): \geq 1 mg/l; torbidità: < 1 NTU.

*⁵ L'acqua di riferimento per la verifica è conforme allo standard NSF/ANSI 42: Concentrazione di particelle (numero) secondo la classe di particelle testate (V): \geq 1000/ml; durezza: \leq 170 mg/l come CaCO₃; pH: 7,5 \pm 0,5; temperatura: 20 °C \pm 3 °C; solidi disciolti totali (TDS): 200 - 500 mg/l; torbidità: < 1 NTU.

*⁶ L'acqua di riferimento per la verifica è conforme allo standard NSF/ANSI 401: pH: 7,5 \pm 0,5; solidi disciolti totali (TDS): 200 - 500 mg/l; carbone organico totale (TOC): > 1,0 mg/l; torbidità: < 1 NTU.

Produttore: BRITA SE, Heinz-Hankammer-Straße 1, D-65232 Taunusstein, Germany,
Tel.: +49 800 500 19 19, www.brita.net

Distribuito da: BRITA ITALIA S.r.l, Via Zanica, 19K, I-24050 Grassobbio (BG), Numero
Verde: 800 913 716



LARQ

Informacje o użytkowaniu
LARQ Essential, LARQ iQ / LARQ iQ Cap,
LARQ Filter / LARQ Filter Upgrade Kit





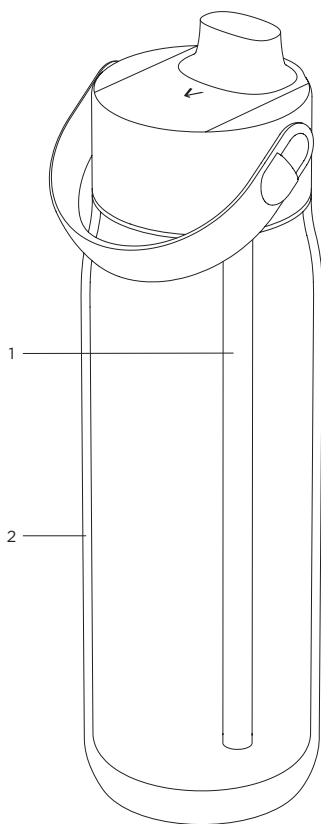
Spis treści

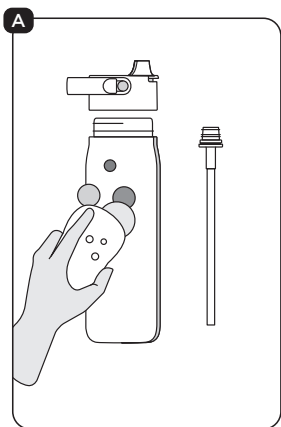
LARQ Essential _____	112
LARQ iQ / LARQ iQ Cap _____	115
LARQ Filter / LARQ Filter Upgrade Kit _____	126

LARQ Essential

PL

- 1 - Słomka z adapterem
- 2 - Butelka ze stali nierdzewnej z podwójną ścianką i izolacją termiczną





WAŻNE INFORMACJE DOTYCZĄCE BEZPIECZEŃSTWA

Przed użyciem należy uważnie przeczytać wszystkie instrukcje i informacje o produkcie oraz przestrzegać ich podczas użytkowania. Nieprawidłowe użytkowanie może prowadzić do obrażeń.

WAŻNE - Produkt nie jest przeznaczony do użytku przez dzieci. Zawiera małe elementy, które mogą stanowić zagrożenie, szczególnie dla dzieci poniżej 3 roku życia. Przechowywać produkt poza zasięgiem dzieci.

Zewnętrzną powierzchnię produktu należy czyścić czystą, wilgotną ściereczką. Nie używać silnych środków czyszczących, płynów ani chemikaliów o podobnym działaniu.

Nie wystawiać produktu na działanie temperatur poniżej zera ani powyżej 32 °C temperatury otoczenia.

A CZYSZCZENIE PRZED PIERWSZYM UŻYCIEM

Umyć butelkę, wieczko i słomkę (łącznie z adapterem) łagodnym środkiem czyszczącym. Wszystkie elementy można myć w zmywarce.

⚠ NAPEŁNIANIE

Nie używaj gorącej wody.

Używaj wyłącznie wody z kranu o jakości wody pitnej, bez osadów.

Nie używaj wody gazowanej.

PIELĘGNACJA

Regularnie czyść butelkę, wieczko i słomkę (wraz z adapterem) łagodnym środkiem czyszczącym lub w zmywarce.

UTYLIZACJA

Utylizuj produkt LARQ Essential zgodnie z obowiązującymi przepisami lokalnymi.

WAŻNA INFORMACJA

LARQ Essential może być używany wyłącznie z zimną wodą z miejskiego wodociągu, dostarczaną przez lokalnego dostawcę. Woda ta jest stale monitorowana zgodnie z obowiązującymi normami dotyczącymi wody pitnej. Nie używaj wody o nieznannej jakości. W zależności od źródła wody, w celu zapewnienia bezpieczeństwa jej spożycia, mogą być zalecane dodatkowe środki ostrożności przy korzystaniu z LARQ Essential. Jeśli władze wydały zalecenie gotowania wody z kranu, wodę przefiltrowaną za pomocą LARQ Essential również należy zagotować. Po zniesieniu zaleceń dotyczących gotowania wody, należy dokładnie wyczyścić produkt LARQ Essential. Gotowanie wody z kranu jest ogólnie zalecane dla niemowląt i osób z osłabionym układem odpornościowym. Woda jest środkiem spożywczym przeznaczonym do konsumpcji. Dlatego należy zużyć wodę z butelki w ciągu jednego dnia. Jeśli nie planujesz używać butelki LARQ Essential przez dłuższy czas, odkręć ją i przechowuj poszczególne elementy w suchym miejscu.

ZRZECZENIE SIĘ ODPOWIEDZIALNOŚCI

Korzystanie z produktu odbywa się na własne ryzyko. Użytkownik korzysta z produktu dobrowolnie, mając świadomość, że istnieją nieodłączne i/lub powiązane ryzyka oraz że przyjmuje i akceptuje wszelkie ryzyka, które mogą być związane z posiadaniem lub użytkowaniem produktu lub wynikać z nich.

Masz pytania?

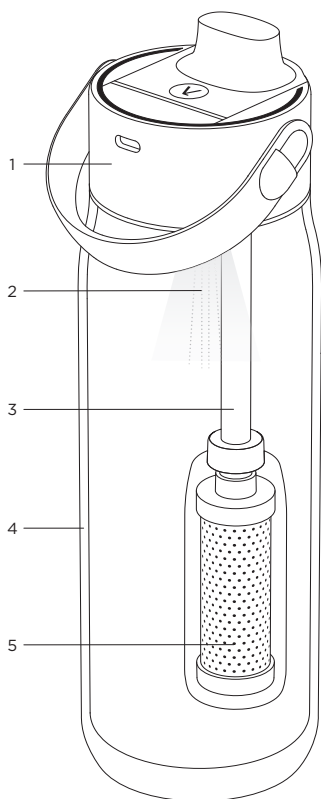
Odwiedź nas na stronie www.brita.net



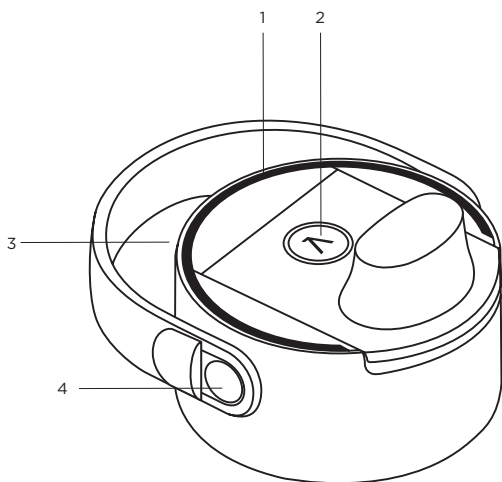
LARQ iQ

PL

- 1 - Zakrętka
- 2 - Dioda UV-C PureVis
- 3 - Słomka z adapterem
- 4 - Butelka ze stali nierdzewnej z podwójną ścianką i izolacją
- 5 - Obudowa filtra z LARQ Filter

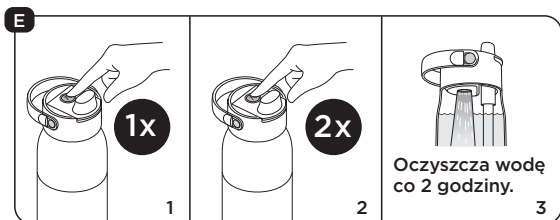
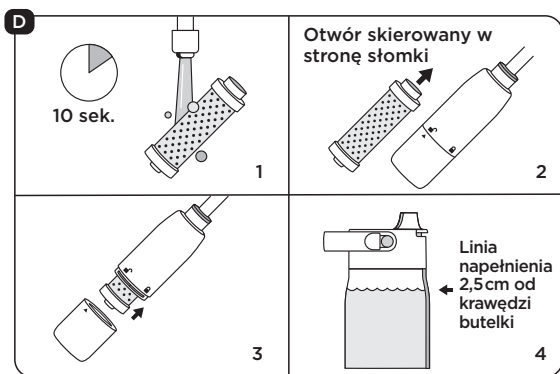
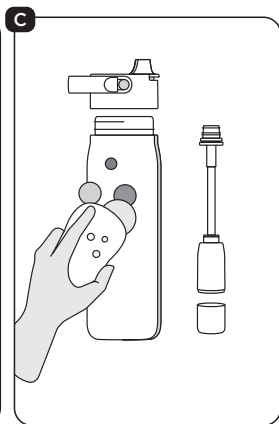
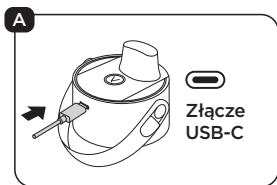


LARQ iQ Cap



PL

- 1 - Technologia inteligentnego śledzenia
- 2 - PureVis UV-C LED
- 3 - Złącze USB-C
- 4 - Blokada uchwytu



WAŻNE INFORMACJE DOTYCZĄCE BEZPIECZEŃSTWA

Przed użyciem należy uważnie przeczytać wszystkie instrukcje i informacje o produkcie oraz przestrzegać ich podczas użytkowania. Nieprawidłowe użytkowanie może prowadzić do obrażeń.

WAŻNE - Produkt nie jest przeznaczony do użytku przez dzieci. Zawiera małe elementy, które mogą stanowić zagrożenie, szczególnie dla dzieci poniżej 3 roku życia. Produkt, a w szczególności elektroniczne wieczko z modułem światła UV-C i akumulatorem, należy przechowywać poza zasięgiem dzieci.

NIEBEZPIECZEŃSTWO - Promieniowanie ultrafioletowe. Nigdy nie patrz bezpośrednio w źródło światła. Bezpośrednie promieniowanie UV może podrażniać oczy i skórę oraz stanowić zagrożenie dla zdrowia.

Zakrętka LARQ iQ Cap może być używana wyłącznie z butelką LARQ iQ lub LARQ Essential – skuteczność działania światła UV-C została przetestowana tylko w tej konfiguracji. BRITA nie gwarantuje skuteczności działania, jeśli LARQ iQ Cap jest używana z innym, nieprzetestowanym systemem butelki.

OSTRZEŻENIE! Produkt zawiera diodę UV klasy RG-3 emitującą promieniowanie UV. Unikaj kontaktu promieniowania z oczami i skórą, jeśli źródło światła nie jest osłonięte. Ryzyko uszkodzenia skóry lub wzroku.

Ostrożnie! Wyłącz światło UV przed otwarciem! Nie wolno włączania światła UV, jeśli zakrętka nie jest prawidłowo przykręcona do butelki.

Zakrętki LARQ iQ Cap nie wolno rozmontowywać, modyfikować ani ingerować w jej konstrukcję. W przypadku nieprawidłowego działania butelki lub któregośkolwiek z jej elementów, należy natychmiast zaprzestać użytkowania. Urządzenia nie wolno samodzielnie naprawiać bez odpowiedniego upoważnienia. W przypadku problemów proszę kontaktować się z dystrybutorem produktu.

Zakrętka LARQ iQ Cap z lampą UV-C jest urządzeniem elektrycznym. Nie wolno jej demontować, modyfikować ani dotykać wewnętrznych układów elektronicznych – grozi to porażeniem prądem.

Usunięcie lub manipulowanie przy płytce elektronicznej modułu UV-C może prowadzić do obrażeń ciała, uszkodzenia urządzenia i unieważnienia wszelkich gwarancji.

Aby uniknąć porażenia prądem lub zagrożenia bezpieczeństwa, przechowuj produkt z dala od deszczu i cieczy. Nie używaj ładowarki w pobliżu wody, np. przy wannie, umywalce, zlewie kuchennym, pralce lub basenie.

Zewnętrzną powierzchnię produktu należy czyścić czystą, wilgotną ściereczką. Nie używać silnych środków czyszczących, płynów ani chemikaliów o podobnym działaniu.

Podczas czyszczenia zakrętki LARQ iQ Cap zakryj port USB-C dłonią, aby zapobiec przedostaniu się wody.

Podczas ładowania podłącz adapter tylko zgodnie z instrukcją obsługi. Akumulator powinien być ładowany wyłącznie przez osoby dorosłe. Nie ładuj urządzenia innym przewodem USB niż ten dostarczony z LARQ iQ.

OSTROŻNIE! Urządzenie może się przegrzać, jeśli napięcie ładowania przekroczy 5 V. W przypadku kontaktu ze skórą może dojść do poparzeń lub pożaru. Odłącz urządzenie od źródła zasilania, pozostaw do schłodzenia w kontrolowanych warunkach i zutylizuj w sposób zgodny z przepisami.

OSTROŻNIE! Nie zdejmuj zakrętki podczas trwania cyklu pracy światła UV-C. Jeśli zakrętka zostanie zdjęta w trakcie cyklu oczyszczania bez uprzedniego jego anulowania, LARQ iQ uruchamia tryb bezpieczeństwa. W trybie bezpieczeństwa światło UV przechodzi w stan bezpieczny dla użytkownika na pozostały czas cyklu.

Aby anulować cykl oczyszczania, najpierw naciśnij przycisk na górze zakrętki, a następnie ostrożnie ją zdejmij.

Nie używaj zakrętki LARQ iQ Cap jako źródła światła.

Nie wystawiaj produktu na działanie temperatur poniżej zera ani powyżej 32 °C temperatury otoczenia.

Nie używaj zakrętki LARQ iQ Cap w naczyniach takich jak zlewki laboratoryjne.

Światło UV-C w zakrętce LARQ iQ Cap nie jest przeznaczone do dezynfekcji wody na krawędzi ani na zewnętrznych powierzchniach butelki lub zakrętki, które są poza zasięgiem promieniowania. Nie służy również do dezynfekcji zewnętrznych części, w tym miejsc, które zwykle stykają się z ustami podczas picia. Przed użyciem upewnij się, że butelka i zakrętka zostały dokładnie wyczyszczone.

W przypadku podejrzenia zanieczyszczenia wody wodociągowej należy zaprzestać używania butelki i filtra do momentu upewnienia się, co do dobrej jakości wody do picia.

Unikaj kontaktu promieniowania UV-C z oczami i skórą oraz zadbaj, aby nie miało ono wpływu na ludzi ani zwierzęta. Nie używaj urządzenia, jeśli zakrętka LARQ iQ Cap lub moduł światła UV-C jest pęknięty, uszkodzony lub ułamany. Skontaktuj się z firmą BRITA w celu uzyskania informacji na temat zgodnej z przepisami utylizacji lub zwrotu produktu. Mimo przeprowadzonych rygorystycznych testów mikrobiologicznych, rzeczywiste wyniki działania światła UV-C w warunkach domowych mogą różnić się od wyników uzyskanych w warunkach laboratoryjnych.

DEKLARACJA ZGODNOŚCI

BRITA SE niniejszym oświadcza, że emiter radiowy typu BRITA LARQ iQ jest zgodny z Dyrektywą 2014 / 53 / UE. Pełna treść deklaracji zgodności UE jest dostępna na żądanie.

DANE TECHNICZNE

Model	680 ml	1000 ml
Wymiary (mm)	Ø 74.5 x 254	Ø 83 x 288
Waga (g)	376	439
Model	iQ Cap	
Fale radiowe	Pasma częstotliwości	2.4 GHz (2402 - 2480 MHz)
	Maks. moc nadawcza (RF Tx)	-0.48 mW (-3.23 dBm)
	Poziomy odniesienia	0.475 mW (-3.23 dBm) @ 2402 MHz 0.411 mW (-3.86 dBm) @ 2480 MHz
	EIRP (maks limit)	< 10 dBm
Bezpieczeństwo	Stopień ochrony	III
Akumulator	Producent	HuNan Grand-Pro Tech Co., Ltd.
	Adres	Skrzyżowanie Shihu Ave i Linjing 2nd Rd, Suxian District, 423000 Chenzhou, Hunan, CHIŃSKA REPUBLIKA LUDOWA
	strona internetowa	grand-pro.com
	E-mail	grand-pro@grand-pro.com
	Typ	Akumulator litowo-jonowy
	Model	PL902037 (1ICP9/21/38)
	napięcie znamionowe	3.7 V DC
	Pojemność znamionowa	700 mAh
	Pojemność energetyczna	2.59 Wh
	Waga (w przybliżeniu)	13 g
	Typ chemiczny	LiCoO ₂ , Graphite, LiPF ₆
	Fabryka	Besides Chenzhou Graet Housing Industry Co., Ltd. (ID: 089687)
	Adres	Intersection of Shihu Ave i Linjing 2nd Rd, Suxian District, 423000 Chenzhou, Hunan, CHIŃSKA REPUBLIKA LUDOWA
	Data produkcji	Patrz tabliczka znamionowa akumulatora (RRRRMMDD)
	Numer partii	Patrz tabliczka znamionowa akumulatora (RRRRMMDD)
	Substancje niebezpieczne inne niż Hg/Cd/Pb	nie dotyczy
	Użyteczny środek gaśniczy	Gaśnica dwutlenek węgla (CO ₂) lub sucha chemiczna
Surowce krytyczne >0,1 %(w/w)	nie dotyczy	

PRZED PIERWSZYM UŻYCIEM

A Ładowanie butelki

Podłącz do ładowania przewód USB-C dołączony do zestawu.

Uwaga: Używaj wyłącznie zasilaczy USB o napięciu wyjściowym 5 V. Gdy zakrętka zaświeci się, butelka BRITA LARQ iQ jest gotowa do użycia. Akumulator jest w pełni naładowany, gdy zielone światło świeci się ciągłym światłem.

B Pobierz aplikację BRITA

Postępuj zgodnie z instrukcjami w aplikacji i skonfiguruj swój indywidualny profil nawodnienia.

C Czyszczenie i higiena

Umyj butelkę, zakrętkę i słomkę (łącznie z adapterem) łagodnym środkiem czyszczącym. Podczas czyszczenia zakrętki LARQ iQ Cap zakryj port USB-C dłonią, aby zapobiec przedostaniu się wody. **Zakrętki nie należy myć w zmywarce.**

D URUCHOMIENIE FILTRA

- 1 Przytrzymaj filtr pod zimną, bieżącą wodą przez 10 sekund.
- 2 Włóż filtr do obudowy tak, aby otwór był skierowany w stronę słomki.
- 3 Zamknij i dokręć dolną część obudowy, a następnie użyj adaptera, aby przymocować słomkę do zakrętki.
- 4 Przestrzegaj maksymalnego poziomu napełnienia wodą, aby zapewnić prawidłowe działanie. Butelka nie nadaje się do użytku z gorącą wodą.

⚠ NAPEŁNIANIE

Nie używaj gorącej wody.

Używaj wyłącznie wody z kranu o jakości wody pitnej, bez osadów. Nie używaj wody gazowanej.

Pomiar ilości spożytej wody

Aby dokładnie określić ilość wypitej wody, po uzupełnieniu lub wypiciu umieść zamkniętą butelkę na płaskiej powierzchni. Białe światło zapali się w ciągu 5 sekund po dokonaniu pomiaru ilości wody.

USTAWIENIA

E Tryb UV-C PureVis

- 1 Naciśnij przycisk **λ** jeden raz: Tryb normalny (niebieskie światło pulsujące).
- 2 Naciśnij przycisk **λ** dwukrotnie: Tryb intensywnego oczyszczania (niebieskie światło migające).

- 3 Światło UV-C automatycznie uruchamia cykl samooczyszczania co dwie godziny.

Nawodnienie

Monitorowanie nawodnienia – białe światło pulsujące.

Przypomnienie o piciu – białe światło migające.

Funkcja monitorowania działa najlepiej, gdy po wypiciu lub napełnieniu butelki odstawisz ją na płaską powierzchnię.

Białe światło zapali się w ciągu 5 sekund po dokonaniu pomiaru ilości wody.

Stan naładowania baterii

Niski poziom naładowania – zielone światło miga dwukrotnie przed każdym cyklem UV-C PureVis.

Ładowanie – zielone światło pulsujące. Pełne

naładowanie – zielone światło świeci ciągłym światłem.

KOMUNIKAT O BŁĘDZIE

Zakrętka nie została dokręcona – pomarańczowe światło świeci ciągłym światłem. Woda jest zbyt gorąca – pomarańczowe światło pulsujące.

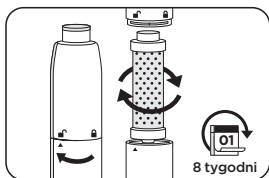
Problem z baterią – fioletowe światło pulsujące. Poważny problem – czerwone światło pulsujące. Odwiedź naszą stronę:

www.brita.net

CZYSZCZENIE I KONSERWACJA

Wymiana filtra

Filtr może przefiltrować do 150 litrów wody. Zalecamy wymianę filtra co najmniej raz na 8 tygodni. Zużyte filtry można wyrzucić do odpadów komunalnych.



Czyszczenie

Czyść butelkę, zakrętkę i słómkę (wraz z adapterem) raz w tygodniu łagodnym środkiem czyszczącym. Raz w miesiącu opłucz butelkę ciepłą wodą z mydłem. **Zakrętka i filtr nie nadają się do mycia w zmywarce.**



UTYLIZACJA

Symbol przekreślonego kosza oznacza konieczność oddzielnego zbierania zużytych urządzeń elektrycznych i elektronicznych (WEEE). Urządzenia elektryczne i elektroniczne mogą zawierać cenne, ale także niebezpieczne i szkodliwe dla środowiska substancje. Zakrętka LARQ iQ Cap zawiera akumulator litowopolimerowy. Nie wyrzucaj zakrętki LARQ iQ Cap do odpadów komunalnych. Istnieje system zbiórki elektroodpadów, który obejmuje również takie urządzenia jak zakrętka LARQ iQ Cap. Przestrzegaj wszystkich obowiązujących przepisów i regulacji dotyczących utylizacji komponentów elektronicznych i oddaj zakrętkę do odpowiedniego punktu zbiórki sprzętu elektronicznego. Prawidłowa utylizacja zapewnia bezpieczny recykling i ponowne wykorzystanie elektroodpadów. Utylizuj produkty LARQ iQ / LARQ iQ Cap oraz filtr LARQ w sposób zgodny z lokalnymi przepisami. Upewnij się, że filtr LARQ nie jest uszkodzony.

WAŻNE INFORMACJE

LARQ iQ / LARQ iQ Cap mogą być używane wyłącznie z zimną wodą wodociągową, uzdatnianą przez lokalnego dostawcę. Woda ta jest stale monitorowana i zgodna z obowiązującymi normami dotyczącymi wody pitnej. Nie używaj wody o nieznannej jakości. W zależności od źródła wody, w celu zapewnienia bezpieczeństwa, mogą być zalecane dodatkowe środki ostrożności przy używaniu LARQ iQ / LARQ iQ Cap. Jeśli władze ogłoszą konieczność gotowania wody, należy także zagotować wodę przefiltrowaną za pomocą LARQ iQ / LARQ iQ Cap. Po odwołaniu takiego zalecenia, należy dokładnie wyczyścić LARQ iQ / LARQ iQ Cap i wymienić filtr LARQ na nowy. Gotowanie wody z kranu jest ogólnie zalecane dla niemowląt i osób z osłabionym układem odpornościowym. Woda jest środkiem spożywczym przeznaczonym do konsumpcji.

Dlatego należy zużyć wodę z butelki w ciągu jednego dnia. Jeśli nie planujesz używać LARQ iQ / LARQ iQ Cap przez dłuższy czas, odkręć butelkę i przechowuj wszystkie elementy w suchym miejscu.

Zapaszowe filtry przechowuj zawsze w chłodnym i suchym miejscu, w szczelnie zamkniętym pojemniku. Filtr jest produktem naturalnym, dlatego może dojść do lekkiego ścierania cząsteczek węgla aktywnego zarówno w opakowaniu, jak i w przefiltrowanej wodzie. Cząstki te nie stanowią zagrożenia dla zdrowia i nie są szkodliwe w przypadku połknięcia. Jeśli zauważysz cząstki węgla w przefiltrowanej wodzie, zalecamy dokładne wypłukanie filtra z każdej strony. Proces filtracji może początkowo powodować nieznaczny wzrost

zawartości potasu w wodzie. To nie stanowi zagrożenia (dla porównania: 1 litr wody filtrowanej przez filtr BRITA zawiera mniej potasu niż jedno jabłko). Jeśli chorujesz na schorzenia nerek i/lub musisz przestrzegać diety ubogiej w potas, przed użyciem filtra do wody BRITA skonsultuj się z lekarzem.

Zrzeczenie się odpowiedzialności

Korzystanie z produktu odbywa się na własne ryzyko. Użytkownik korzysta z produktu dobrowolnie, mając świadomość, że istnieją nieodłączne i/lub powiązane ryzyka oraz że przyjmuje i akceptuje wszelkie ryzyka, które mogą być związane z posiadaniem lub użytkowaniem produktu lub wynikać z nich.

Masz pytania?

Odwiedź nas na stronie www.brita.net

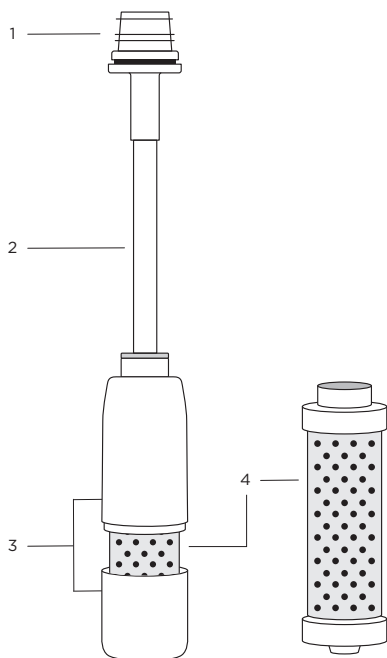


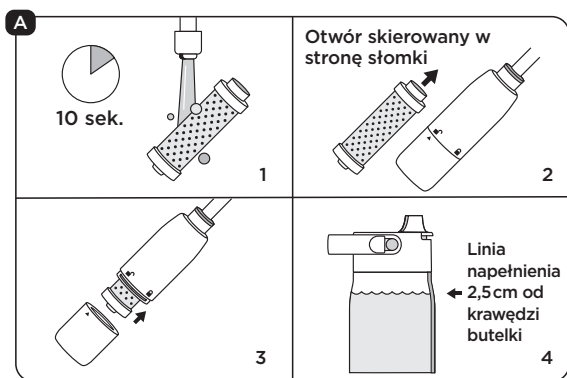
USB-C 5V=700mAh
IPX7

LARQ Filter / LARQ Filter Upgrade Kit

PL

- 1 - Adapter
- 2 - Słomka
- 3 - Obudowa filtra
- 4 - LARQ Filter





WAŻNE INFORMACJE DOTYCZĄCE BEZPIECZEŃSTWA

Przed użyciem należy uważnie przeczytać wszystkie instrukcje i informacje o produkcie oraz przestrzegać ich podczas użytkowania. Nieprawidłowe użytkowanie może prowadzić do obrażeń.

WAŻNE - Produkt nie jest przeznaczony do użytku przez dzieci. Zawiera małe elementy, które mogą stanowić zagrożenie, szczególnie dla dzieci poniżej 3. roku życia. Przechowywać produkt poza zasięgiem dzieci.

Zewnętrzną powierzchnię produktu należy czyścić czystą, wilgotną ściereczką. Nie używać silnych środków czyszczących, płynów ani chemikaliów o podobnym działaniu.

Nie wystawiać produktu na działanie temperatur poniżej zera ani powyżej 32 °C temperatury otoczenia.

Podobnie jak w przypadku każdego systemu uzdatniania wody, zawsze należy mieć alternatywną metodę oczyszczania.

CZYSZCZENIE PRZED PIERWSZYM UŻYCIEM

Umyj słomkę (wraz z adapterem) łagodnym środkiem czyszczącym. Elementy zestawu wymiany filtra (z wyjątkiem samego filtra) nadają się do mycia w zmywarce.

A URUCHOMIENIE FILTRA

- 1 Przytrzymaj filtr pod zimną, bieżącą wodą przez 10 sekund.
- 2 Włóż filtr do obudowy tak, aby otwór był skierowany w stronę słomki.
- 3 Zamknij i dokręć dolną część obudowy, a następnie użyj adaptera, aby przymocować słomkę do zakrętki.
- 4 Przestrzegaj maksymalnego poziomu napełnienia wodą, aby zapewnić prawidłowe działanie. Butelka nie nadaje się do użytku z gorącą wodą.

⚠ NAPEŁNIANIE

Nie używaj gorącej wody.

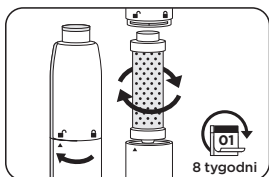
Używaj wyłącznie wody z kranu o jakości wody pitnej, bez osadów.

Nie używaj wody gazowanej.

CZYSZCZENIE I KONSERWACJA

Wymiana filtra

Filtr może przefiltrować do 150 litrów wody. Zalecamy wymianę filtra co najmniej raz na 8 tygodni. Zużyte filtry można wyrzucić do odpadów komunalnych.



Czyszczenie

Umyj słomkę (wraz z adapterem) łagodnym środkiem czyszczącym. Elementy zestawu wymiany filtra (z wyjątkiem samego filtra) nadają się do mycia w zmywarce.

UTYLIZACJA

Utylizuj zużyty filtr LARQ zgodnie z lokalnymi przepisami. Upewnij się, że filtr LARQ nie jest uszkodzony.

WAŻNE INFORMACJE

Filtr LARQ może być używany wyłącznie z zimną wodą wodociągową, uzdatnianą przez lokalnego dostawcę. Woda ta jest stale monitorowana i zgodna z obowiązującymi normami dotyczącymi wody pitnej. Nie używaj wody o nieznannej jakości. W zależności od źródła wody, dla zapewnienia bezpieczeństwa jej spożycia, mogą być zalecane dodatkowe środki ostrożności przy korzystaniu z filtra LARQ. Jeśli władze ogłoszą konieczność gotowania wody, należy także zagotować wodę przefiltrowaną przez filtr LARQ.

Po odwołaniu takiego zalecenia należy dokładnie wyczyścić butelkę LARQ i zamontować nowy filtr LARQ. Gotowanie wody z kranu jest ogólnie zalecane dla niemowląt i osób z osłabionym układem odpornościowym. Woda jest środkiem spożywczym przeznaczonym do konsumpcji.

Dlatego należy zużyć wodę z butelki w ciągu jednego dnia. Jeśli nie planujesz używać butelki LARQ przez dłuższy czas, odkręć ją i przechowuj wszystkie elementy w suchym miejscu.

Zapasowe filtry przechowuj zawsze w chłodnym i suchym miejscu, w szczelnie zamkniętym pojemniku. Filtr jest produktem naturalnym, dlatego może dojść do lekkiego ścierania cząsteczek węgla aktywnego zarówno w opakowaniu, jak i w przefiltrowanej wodzie. Cząstki te nie stanowią zagrożenia dla zdrowia i nie są szkodliwe w przypadku połknięcia. Jeśli zauważysz cząstki węgla w przefiltrowanej wodzie, zalecamy dokładne wypłukanie filtra z każdej strony.

Proces filtracji może początkowo powodować nieznaczny wzrost zawartości potasu w wodzie. To nie stanowi zagrożenia (dla porównania: 1 litr wody filtrowanej przez filtr BRITA zawiera mniej potasu niż jedno jabłko). Jeśli chorujesz na schorzenia nerek i/lub musisz przestrzegać diety ubogiej w potas, przed użyciem filtra do wody BRITA skonsultuj się z lekarzem.

Zrzeczenie się odpowiedzialności

Korzystanie z produktu odbywa się na własne ryzyko. Użytkownik korzysta z produktu dobrowolnie, mając świadomość, że istnieją nieodłączne i/lub powiązane ryzyka oraz że przyjmuje i akceptuje wszelkie ryzyka, które mogą być związane z posiadaniem lub użytkowaniem produktu lub wynikać z nich.

Masz pytania?

Odwiedź nas na stronie www.brita.net



Producent: BRITA SE, Heinz-Hankammer-Straße 1, D-65232 Taunusstein, Germany,
Tel.: +49 800 500 19 19, www.brita.net

Dystrybutor: BRITA Polska Sp. z o.o., Ołtarzew, ul. Domaniewska 6, 05-850 Ożarów
Mazowiecki, Polska. Tel.: +48 22 721 24 40, Faks: +48 22 721 24 49



LARQ

Información de uso

LARQ Essential, LARQ iQ / LARQ iQ Cap,
LARQ Filter / LARQ Filter Upgrade Kit





Índice

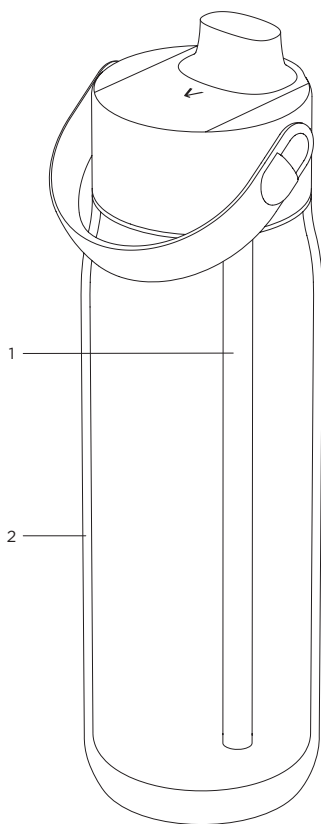
LARQ Essential _____	134
LARQ iQ / LARQ iQ Cap _____	137
LARQ Filter / LARQ Filter Upgrade Kit _____	148

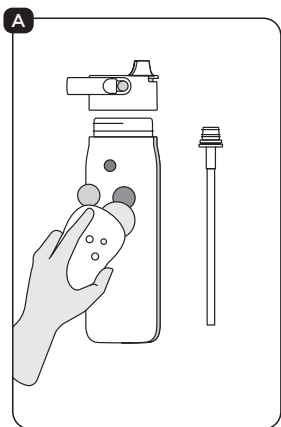
LARQ Essential

ES

1 - Pajita

2 - Aislado con doble pared
acero inoxidable





INFORMACIÓN IMPORTANTE DE SEGURIDAD

Antes del uso, lea detenidamente todas las instrucciones del producto y la información sobre seguridad de estas instrucciones de funcionamiento y siga las instrucciones durante el uso. Un uso indebido puede provocar lesiones.

IMPORTANTE - El producto no es adecuado para que lo usen los niños. El producto contiene componentes pequeños que pueden ser peligrosos para los niños y especialmente para niños de menos de 3 años de edad. Mantenga el producto fuera del alcance de los niños.

Limpie el exterior del producto con un paño limpio y húmedo. No use nunca aerosoles o líquidos de limpieza agresivos ni productos químicos similares.

No exponga el producto a temperaturas inferiores a una temperatura de congelación o superiores a 32 °C.

A LIMPIEZA ANTES DEL PRIMER USO

Limpie la botella, la tapa y la pajita (incluido el adaptador) con un agente de limpieza suave. Todos los componentes son aptos para lavavajillas.

⚠ LLENADO

No use agua caliente

Use únicamente agua del grifo potable sin sedimentos.

No use agua con gas.

CUIDADOS

Limpie regularmente la botella, la tapa y la pajita (incluido el adaptador) con un agente de limpieza suave o en el lavavajillas.

ELIMINACIÓN

Deseche la LARQ Essential de manera responsable según los reglamentos locales.

NOTA IMPORTANTE

LARQ Essential solo se puede utilizar con agua del grifo municipal, abastecida por la autoridad local relacionada con el agua. Este agua se supervisa constantemente y es apta para el consumo según la normativa legal vigente. No se debe usar con agua de calidad desconocida. Dependiendo del origen del agua, cuando se usa LARQ Essential puede ser aconsejable tomar precauciones adicionales para garantizar su seguridad. Una vez que dejen de ser aplicables las instrucciones de hervir el agua, limpie minuciosamente la LARQ Essential. Por lo general, para bebés y personas con un sistema inmune débil se recomienda hervir el agua del grifo. El agua es un producto alimentario destinado para consumo humano. Por lo tanto, debe consumirse de la botella en menos de un día. Si no utiliza la LARQ Essential durante un periodo de prolongado, desenrosque la botella y guarde las piezas individuales en un lugar seco.

DESCARGO DE RESPONSABILIDAD

El uso del producto es bajo su responsabilidad. Se considera que usted usa el producto voluntariamente y con pleno conocimiento de que existen riesgos inherentes y/o asociados, y que asume y acepta todos los riesgos que puedan estar asociados o surgir de poseer y usar el producto.

¿Tiene usted preguntas?

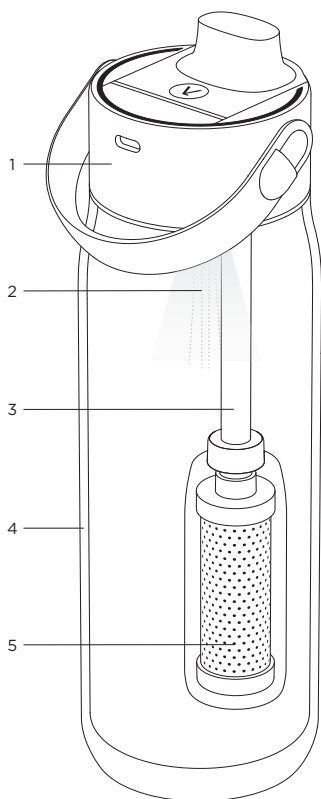
Visítenos en www.brita.net



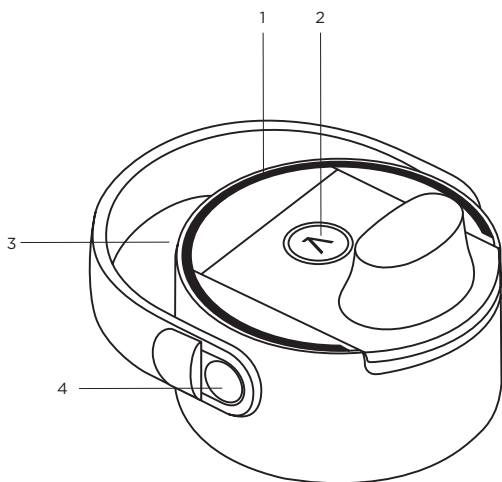
LARQ iQ

ES

- 1 - Tapa
- 2 - PureVis UV-C LED
- 3 - Pajita
- 4 - Botella de acero inoxidable,
doble pared, aislada
- 5 - Carcasa del filtro con LARQ Filter

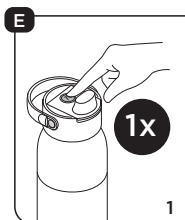
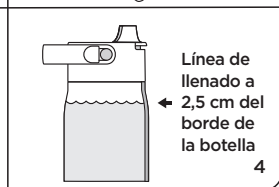
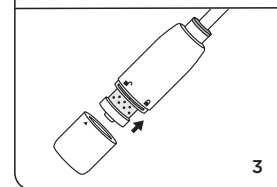
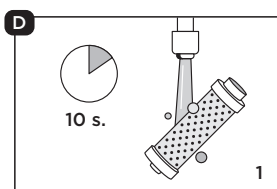
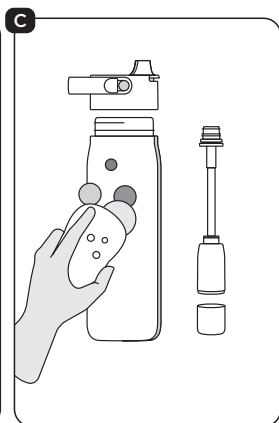
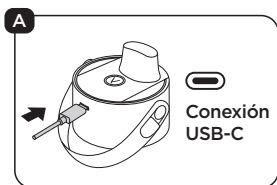


LARQ iQ Cap



ES

- 1 - Tecnología de seguimiento inteligente
- 2 - PureVis UV-C LED
- 3 - Conexión USB-C
- 4 - Bloqueo del asa



INFORMACIÓN IMPORTANTE DE SEGURIDAD

Antes del uso, lea detenidamente todas las instrucciones del producto y la información de seguridad contenidas en este manual de funcionamiento y siga las instrucciones durante el uso. Un uso indebido puede provocar lesiones.

IMPORTANTE - El producto no es adecuado para que lo usen los niños. El producto contiene componentes pequeños que pueden ser peligrosos para los niños y especialmente para niños de menos de 3 años. Mantenga el producto, en particular la tapa electrónica con el conjunto de luz UV-C y la batería, fuera del alcance de los niños.

PELIGRO - Radiación ultravioleta. No mire directamente a la luz. La luz ultravioleta directa puede provocar irritación en los ojos y la piel, y puede ser potencialmente perjudicial.

LARQ iQ Cap solo se puede usar con la botella LARQ iQ o LARQ Essential, la luz UV-C solo se ha probado en combinación con las botellas LARQ iQ y LARQ Essential. BRITA no puede garantizar la eficacia de la aplicación si el tapón LARQ iQ se utiliza con un sistema de botella alternativo que no haya sido probado.

¡ADVERTENCIA! El producto contiene un LED UV RG-3 que emite radiación ultravioleta (UV). Si la lámpara no está protegida, evite el contacto con los ojos y la piel. Existe riesgo de lesiones en la piel y los ojos.

¡Precaución! ¡Antes de abrir apague la luz UV! La luz UV no se debe encender si la tapa no está enroscada en la botella.

LARQ iQ Cap no debe abrirse, manipularse ni modificarse. Si la botella o alguno de sus componentes no funciona según lo esperado o está defectuoso, deje de usarlo inmediatamente. El dispositivo no debe ser reparado sin autorización. En particular, el LED UV únicamente puede ser reparado por un experto cualificado.

LARQ iQ Cap con luz UV-C es un dispositivo eléctrico. No abra, exponga, modifique ni toque los circuitos internos ya que esto puede provocar una descarga eléctrica.

Retirar o manipular la placa de circuito electrónico del conjunto de luz UV-C puede provocar lesiones, daños al producto e invalidará la garantía.

Para evitar un peligro o una descarga eléctrica, guarde este producto alejado de la lluvia y de cualquier líquido. No utilice el cargador cerca de agua, por ejemplo, cerca de la bañera, el lavabo, el fregadero, la lavadora o una piscina.

Limpie el exterior del producto con un paño limpio y húmedo. No utilice aerosoles o líquidos de limpieza agresivos ni productos químicos similares.

Cuando limpie el LARQ iQ Cap, asegúrese de cubrir el puerto USB-C con la mano para evitar la entrada de agua.

Durante la carga, conecte el adaptador únicamente según se indica en las instrucciones de uso. Solo los adultos deben cargar la batería. No cargue el dispositivo con un cable USB distinto al suministrado con el LARQ iQ.

¡PRECAUCIÓN! El dispositivo se puede sobrecalentar si la tensión de carga es demasiado alta (superior a 5 V). Existe riesgo de incendio y quemaduras en caso de contacto con la piel. Desconecte el dispositivo de la fuente de alimentación, deje que se enfríe de manera controlada y deséchelo correctamente.

¡PRECAUCIÓN! No retire la tapa mientras el ciclo de luz UV-C está en marcha. Si se quita la tapa durante el ciclo de limpieza sin cancelarlo previamente, la LARQ iQ activa un modo de seguridad. Este modo, la luz LED UV cambia a un estado de funcionamiento seguro para las personas durante el resto del ciclo.

Para cancelar un ciclo de limpieza, primero pulse el botón encima de la tapa y, a continuación, retire cuidadosamente la tapa.

No utilice la LARQ iQ Cap como fuente de luz.

No exponga el producto a temperaturas inferiores a una temperatura de congelación o superiores a 32 °C.

No utilice el LARQ iQ Cap en recipientes como vasos de precipitados de laboratorio.

La luz UV-C del LARQ iQ Cap no está diseñada para desinfectar agua del borde ni las superficies exteriores de la botella o la tapa a las que la luz no puede llegar. Tampoco está destinada a desinfectar las superficies exteriores de un recipiente para beber, incluidas aquellas que habitualmente entran en contacto con la boca al beber. Asegúrese de que la botella y la tapa estén correctamente limpias antes de usarlas.

Como ocurre con cualquier sistema de tratamiento de agua, siempre se debe contar con un método alternativo de purificación. Evite el contacto de la radiación UV-C con los ojos y la piel, y asegúrese de que no afecte a personas ni animales. No utilice el dispositivo si el LARQ iQ Cap o el conjunto de luz UV-C están agrietados, astillados o dañados. Póngase en contacto con BRITA para obtener información sobre su eliminación o devolución. Aunque se han realizado pruebas microbiológicas cuidadosamente controladas, el uso de la luz UV-C el LARQ iQ Cap por parte del consumidor puede generar resultados diferentes a los obtenidos en laboratorio.

DECLARACIÓN DE CONFORMIDAD

BRITA SE declara, por la presente, que el emisor de radio tipo BRITA LARQ iQ cumple la Directiva 2014 / 53 / UE. El texto completo de la Declaración de Conformidad UE está disponible bajo solicitud.

ESPECIFICACIONES TÉCNICAS

Modelo	680 ml	1000 ml
Dimensiones (mm)	Ø 74.5 x 254	Ø 83 x 288
Peso (g)	376	439
Modelo	iQ Cap	
Radio	Banda de frecuencia	2.4 GHz (2402 - 2480 MHz)
	Max. RF transmite potencia de salida (RF TX)	-0.48 mW (-3.23 dBm)
	Valores de referencia	0.475 mW (-3.23 dBm) @ 2402 MHz 0.411 mW (-3.86 dBm) @ 2480 MHz
	EIRP (EU max. límite)	< 10 dBm
Seguridad	Clase de protección	III
Batería	Fabricante	HuNan Grand-Pro Tech Co., Ltd.
	Dirección	Intersección de Shihu Ave y Linjing 2nd Rd, Distrito Suxian, 423000 Chenzhou, Hunan, REPÚBLICA POPULAR DE CHINA
	Web	grand-pro.com
	Correo electrónico	grand-pro@grand-pro.com
	Tipo	Paquete de batería recargable de iones de litio
	Modelo	PL902037 (1ICP9/21/38)
	Voltaje	3.7 V DC
	Capacidad (nominal)	700 mAh
	Energía	2.59 Wh
	Peso (aprox.)	13 g
	Química	LiCoO ₂ , Grafite, LiPF ₆
	Fábrica	Además de Chenzhou Great Housing Industry Co., Ltd. (ID: 089687)
	Dirección	Intersección de Shihu Ave y Linjing 2nd Rd, Distrito Suxian, 423000 Chenzhou, Hunan, REPÚBLICA POPULAR DE CHINA
	Fecha de fabricación	Ver placa de marcado de batería (AAAAMMDD)
	Número de lote	Ver placa de marcado de batería (AAAAMMDD)
	Sustancias peligrosas distintas del Hg/Cd/Pb	no se aplica
Agente extintor utilizable	Dióxido de carbono (CO ₂) o extintor de incendios químicos secos	
Materias primas críticas >0,1 %(p/p)	no se aplica	

ANTES DEL PRIMER USO

A Cargar la botella

Para cargar conecte el cable de carga USB-C incluido en el contenido del paquete. Precaución: use únicamente fuentes de alimentación USB con una tensión de salida de 5 V. Una vez se ilumina la tapa, la botella LARQ iQ está preparada para el uso. La batería recargable está totalmente cargada cuando la luz verde se ilumina de forma continua.

B Descargar la aplicación BRITA

Siga las instrucciones en la aplicación y configure el perfil de bebida personal.

C Limpieza e higiene

Limpie la botella, la tapa y la pajita (incluido el adaptador) con un agente de limpieza suave. Cuando limpie el LARQ iQ Cap, asegúrese de cubrir el puerto USB-C con la mano para evitar la entrada de agua.

La cubierta no es apta para lavavajillas.

D PUESTA EN SERVICIO DEL FILTRO

- 1 Mantenga el filtro bajo agua corriente fría unos 10 segundos.
- 2 Inserte el filtro en la carcasa con la abertura orientada hacia la pajita.
- 3 Cierre y ajuste la parte inferior de la carcasa. Use el adaptador para fijar la pajita en la tapa.
- 4 Respete el nivel máximo de llenado de agua para garantizar un funcionamiento óptimo. La botella no es apta para uso con agua caliente.

⚠ LLENADO

No utilice agua caliente

Use únicamente agua del grifo potable sin sedimentos. No utilice agua con gas.

Medición de la entrada de líquido

Para medir con precisión la cantidad de agua consumida, después de beber y rellenar, coloque la botella cerrada sobre una superficie plana. Una luz blanca se encenderá en menos de 5 segundos, indicando que se ha registrado correctamente la cantidad de agua.

AJUSTES

E Modo PureVis UV-C

- 1 Pulse **λ** una vez: Modo normal (luz azul pulsátil).
- 2 Pulse el botón **λ** dos veces: Limpieza potente (luz azul destellando).

- 3 La luz UV-C empieza automáticamente el modo de autolimpieza cada dos horas.

Hidratación

Seguimiento de la hidratación – luz blanca pulsátil.

Recordatorio para beber – luz blanca intermitente.

El seguimiento de hidratación funciona mejor si, después de beber o rellenar, se coloca la botella en una superficie plana.

Una luz blanca se enciende en menos de 5 segundos cuando se ha medido la cantidad de agua.

Estado de la batería

Baja carga de la batería – la luz verde destella dos veces antes de cada modo PureVis UV-C.

Cargando – luz verde pulsátil.

Totalmente cargada – iluminación verde fija.

MENSAJE DE ERROR

La tapa no está enroscada – iluminación naranja fija.

Llenado de agua demasiado caliente – luz naranja pulsátil.

Problema de la batería – luz violeta pulsátil.

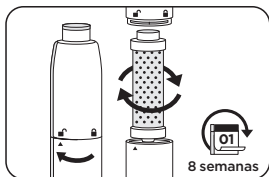
Problema importante – luz roja pulsátil.

Contacte con www.brita.net.

CUIDADOS Y MANTENIMIENTO

CAMBIO DE FILTRO

Un filtro puede filtrar hasta 150 litros de agua. Se recomienda sustituir el filtro cada 8 semanas como mínimo. Los filtros usados se pueden desecharse como residuos domésticos.



Limpieza

Limpie la botella, la tapa y la pajita (incluido el adaptador) semanalmente con un agente de limpieza suave. Enjuague la botella con agua templada y jabonosa al menos una vez al mes. **La tapa y el filtro no son aptos para el lavavajillas.**



ELIMINACIÓN

El símbolo «cubo de basura tachado» indica que los residuos de aparatos eléctricos y electrónicos (RAEE) deben eliminarse de forma separada al final de su vida útil. Los aparatos eléctricos y electrónicos pueden contener materiales valiosos pero también sustancias peligrosas para el medio ambiente. El LARQ iQ Cap contiene una batería recargable de polímero de litio. No deseche el LARQ iQ Cap con los residuos domésticos. Existe un sistema de recogida para residuos y dispositivos eléctricos como el LARQ iQ Cap LARQ iQ. Cumpla con todos los reglamentos y requisitos legales aplicables para la eliminación de componentes electrónicos y lleve la tapa al punto de recogida designado para productos electrónicos. Una eliminación adecuada garantiza que los materiales y aparatos electrónicos se reciclen y reutilicen de forma segura y responsable. Deseche LARQ iQ / LARQ iQ Cap y el LARQ Filter de manera responsable cumpliendo los reglamentos locales. Asegúrese de que el filtro no esté dañado.

NOTAS IMPORTANTES

LARQ iQ y el LARQ iQ Cap solo se pueden utilizar con agua del grifo municipal tratada, abastecida por la autoridad local relacionada con el agua. Este tipo de agua se considera segura para el consumo según la legislación vigente. No utilice el dispositivo con agua de calidad desconocida. Dependiendo del origen del agua, cuando se usa LARQ iQ / LARQ iQ Cap puede ser aconsejable tomar precauciones adicionales para garantizar la seguridad del agua. Si las autoridades han informado que el agua del grifo debe ser hervida, entonces el agua optimizada con LARQ iQ / LARQ iQ Cap también debe hervirse. Cuando ya no sean aplicables las instrucciones de hervir el agua, limpie minuciosamente el LARQ iQ / LARQ iQ Cap e introduzca un nuevo LARQ Filter. Generalmente, para bebés y personas con un sistema inmune débil se recomienda hervir el agua del grifo. El agua es un producto alimentario destinado al consumo humano.

Por lo tanto, se recomienda consumir el agua de la botella en menos de un día. Si no se va a utilizar el LARQ iQ / LARQ iQ Cap durante un periodo de prolongado, desenrosque la botella y guarde las piezas individuales en un lugar seco.

Guarde siempre los filtros de repuesto en un lugar fresco y seco, dentro de un recipiente herméticamente sellado. El filtro es un producto natural; esto puede significar una ligera abrasión de pequeñas

partículas de carbono en el embalaje y en el agua filtrada. Estas partículas no afectarán a la salud y no son peligrosas si se ingieren. Si se detectan partículas de carbono en el agua filtrada, se recomienda enjuagar minuciosamente el filtro por todos los lados.

El filtrado provoca inicialmente un ligero aumento del contenido de potasio en el agua. Esto es inocuo (por ejemplo, 1 litro de agua filtrada por BRITA contiene menos potasio que una manzana). Si padece de una enfermedad del riñón y/o tiene que seguir una dieta especial en potasio, comente por adelantado el uso del filtro de agua BRITA con su médico.

Exención de responsabilidad

El uso del producto es bajo su responsabilidad. Se considera que usted lo utiliza el producto de forma y con pleno conocimiento de que existen riesgos inherentes y/o asociados, y que asume y acepta todos los riesgos que puedan estar asociados o surgir de poseer y usar el producto.

¿Tiene alguna pregunta?

Visítenos en www.brita.net

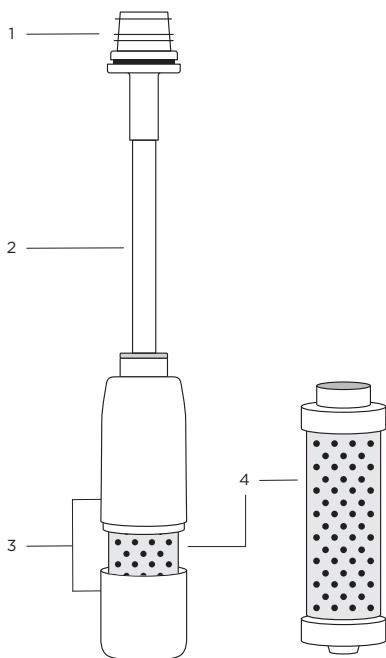


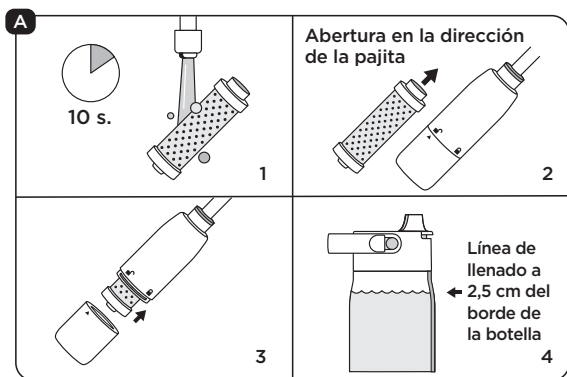
USB-C 5V=700mAh
IPX7

LARQ Filter / LARQ Filter Upgrade Kit

ES

- 1 - Adaptador
- 2 - Pajita
- 3 - Carcasa de filtro
- 4 - LARQ Filter





INFORMACIÓN IMPORTANTE DE SEGURIDAD

Antes del uso, lea detenidamente todas las instrucciones del producto y la información de seguridad de estas instrucciones de funcionamiento y siga las instrucciones durante su utilización. Un uso inadecuado puede provocar lesiones.

IMPORTANTE - El producto no es adecuado para que lo usen los niños. El producto contiene componentes pequeños que pueden ser peligrosos para los niños y especialmente para niños de menos de 3 años. Mantenga el producto fuera del alcance de los niños.

Limpie el exterior del producto con un paño limpio y húmedo. No use nunca aerosoles o líquidos de limpieza agresivos ni productos químicos similares.

No exponga el producto a temperaturas inferiores a una temperatura de congelación o superiores a 32 °C.

Como con cualquier de tratamiento de agua, siempre se debe tener un método alternativo de tratamiento de agua.

LIMPIEZA ANTES DEL PRIMER USO

Limpie la pajita (incluido el adaptador) con un agente de limpieza suave. Los componentes del kit de actualización de filtro (con la excepción del filtro) son aptos para el lavavajillas.

A PUESTA EN MARCHA DEL FILTRO

- 1 Mantenga el filtro bajo agua corriente fría unos 10 segundos.
- 2 Inserte el filtro en la carcasa con la abertura orientada hacia a la pajita.
- 3 Cierre y ajuste la sección inferior de la carcasa, use el adaptador para sujetar la pajita en la tapa.
- 4 Respete el nivel máximo de llenado de agua para garantizar un funcionamiento óptimo. La botella no es apta para uso con agua caliente.

⚠ LLENADO

No utilice agua caliente

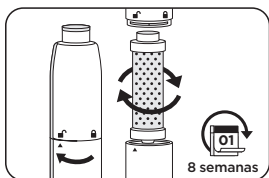
Use únicamente agua del grifo potable sin sedimentos.

No utilice agua con gas.

CUIDADOS Y MANTENIMIENTO

Cambio de filtro

Un filtro puede filtrar hasta 150 litros de agua. Se recomienda sustituir el filtro al menos cada 8 semanas. Los filtros usados se pueden desechar como residuos domésticos.



Limpieza

Limpie la pajita (incluido el adaptador) con un agente de limpieza suave. Los componentes del kit de actualización de filtro (con la excepción del filtro) son aptos para el lavavajillas.

ELIMINACIÓN

Deseche el LARQ Filter de manera responsable según los reglamentos locales. Asegúrese de que el LARQ Filter no esté dañado.

NOTAS IMPORTANTES

El LARQ Filter solo se puede utilizar con agua del grifo municipal tratada, abastecida por la autoridad local relacionada con el agua. Este tipo de agua se considera segura para el consumo según la legislación vigente. No utilice el dispositivo con agua de calidad desconocida. Dependiendo del origen del agua, cuando se usa el LARQ Filter puede ser aconsejable tomar precauciones adicionales para garantizar la seguridad del agua. Si las autoridades han informado que el agua del grifo debe ser hervida, entonces el agua optimizada con el LARQ Filter también debe hervirse.

Cuando ya no sean aplicables las instrucciones de hervir el agua, limpie minuciosamente la botella LARQ y ponga un nuevo LARQ Filter. Generalmente, para bebés y personas con un sistema inmune débil se recomienda hervir el agua del grifo. El agua es un producto alimentario destinado para consumo humano.

Por lo tanto, se recomienda consumir el agua de la botella en menos de un día. Si no se va a utilizar la botella LARQ durante un periodo de tiempo prolongado, desenrosque la botella y guarde las piezas individuales en un lugar seco.

Guarde siempre los filtros de repuesto en un lugar fresco y seco, dentro de un recipiente herméticamente sellado. El filtro es un producto natural; esto puede significar una ligera abrasión de pequeñas partículas de carbono en el embalaje y en el agua filtrada. Estas partículas no afectarán a la salud y no son peligrosas si se ingieren. Si se detectan partículas de carbono en el agua filtrada, se recomienda enjuagar minuciosamente el filtro por todos los lados.

El filtrado provoca inicialmente un ligero aumento del contenido de potasio en el agua. Esto es inocuo (por ejemplo, 1 litro de agua filtrada por BRITA contiene menos potasio que una manzana). Si padece de una enfermedad del riñón y/o tiene que seguir una dieta especial en potasio, comente por adelantado el uso del filtro de agua BRITA con su médico.

Descargo de responsabilidad

El uso del producto es bajo su responsabilidad. Se considera que usted utiliza el producto de forma voluntaria y con pleno conocimiento de que existen riesgos inherentes y/o asociados, y que asume y acepta todos los riesgos que puedan derivarse de la presión y el uso del producto.

¿Tiene alguna pregunta?

Visítenos en www.brita.net



Fabricante: BRITA SE, Heinz-Hankammer-Straße 1, D-65232 Taunusstein, Germany,
Tel.: +49 800 500 19 19, www.brita.net

Distribuido por: BRITA Iberia S.L.U., Carrer de Valencia, 307, 2^a 4^a, 08009 Barcelona



LARQ

Informações de utilização

LARQ Essential, LARQ iQ / LARQ iQ Cap,
LARQ Filter / LARQ Filter Upgrade Kit



Índice

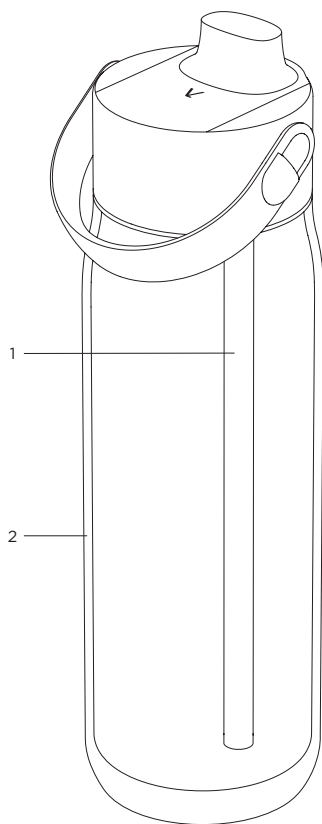
LARQ Essential _____	156
LARQ iQ / LARQ iQ Cap _____	159
LARQ Filter / LARQ Filter Upgrade Kit _____	170

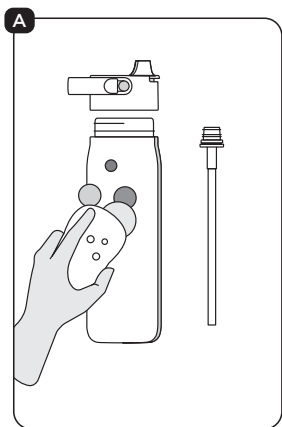
LARQ Essential

PT

1 - Palhinha

2 - Isolamento de parede dupla
aço inoxidável





INFORMAÇÕES DE SEGURANÇA IMPORTANTES

Leia todas as instruções do produto e as informações de segurança contidas neste manual de instruções antes de o utilizar e siga as instruções durante a utilização. A utilização incorreta pode provocar ferimentos.

IMPORTANTE – O produto não é adequado para as crianças. O produto contém componentes pequenos que podem ser perigosos para as crianças e especialmente para crianças com menos de 3 anos de idade. Mantenha o produto fora do alcance das crianças.

Limpe a parte exterior do produto com um pano limpo e húmido. Nunca utilize sprays ou líquidos de limpeza fortes ou produtos químicos semelhantes.

Não exponha o produto a temperaturas abaixo de zero ou acima de 32 °C de temperatura exterior.

A LIMPEZA ANTES DA PRIMEIRA UTILIZAÇÃO

Limpe a garrafa, a tampa e a palhinha (incluindo o adaptador) com um produto de limpeza suave. Todos os componentes podem ser lavados na máquina de lavar louça.

⚠ ENCHER A GARRAFA

Não utilize água quente.

Utilize apenas água da torneira com qualidade de água potável, sem sedimentos.

Não utilize água com gás.

CUIDADOS

Limpe frequentemente a garrafa, a tampa e a palhinha (incluindo o adaptador) com um agente de limpeza suave ou na máquina de lavar louça.

DESCARTAGEM

Descarte o LARQ Essencial de forma responsável e de acordo com os regulamentos locais.

NOTA IMPORTANTE

O LARQ Essencial só pode ser utilizado com água fria da torneira, tratada a nível municipal, fornecida pela autoridade local da água. Esta água é constantemente monitorizada e potável de acordo com os regulamentos legais. Não utilize com água de qualidade desconhecida. Dependendo da origem da água, pode ser necessário tomar precauções adicionais ao utilizar o LARQ Essencial para garantir a fiabilidade da água. Assim que as instruções sobre a fervura da água deixarem de se aplicar, limpe minuciosamente o LARQ Essencial. A fervura da água da torneira é geralmente recomendada para bebés e pessoas com um sistema imunitário fraco. A água é um género alimentício destinado ao consumo humano. Por isso, deve esgotar a água da garrafa no prazo de um dia. Se não utilizar o LARQ Essencial durante um longo período de tempo, desenrosque a garrafa e guarde as peças individuais num local seco.

ISENÇÃO DE RESPONSABILIDADE

A utilização do produto é feita por sua conta e risco. Considerase que o consumidor está a utilizar o produto voluntariamente e com pleno conhecimento de que existem riscos inerentes e/ou associados, e que assume e aceita todos os riscos que possam estar associados ou resultar da posse ou utilização do produto.

Tem alguma dúvida?

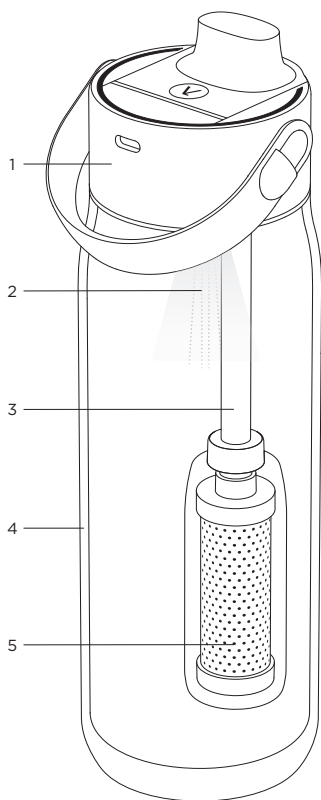
Visitenos em www.brita.net



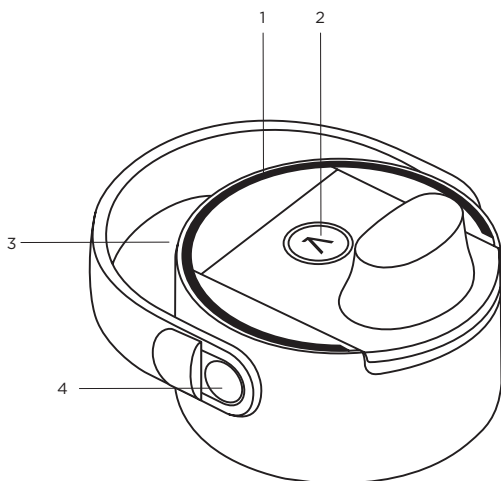
LARQ iQ

PT

- 1 - Tapa
- 2 - PureVis UV-C LED
- 3 - Palhinha
- 4 - Garrafa de aço inoxidável, de parede dupla, com isolamento térmico.
- 5 - Caixa de filtro com LARQ Filter



LARQ iQ Cap



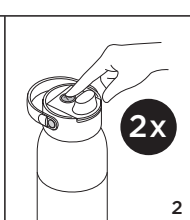
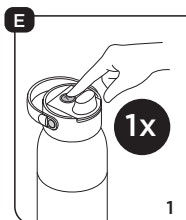
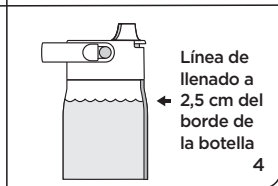
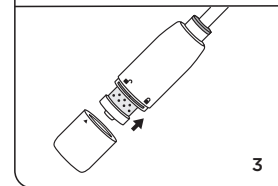
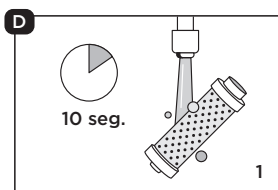
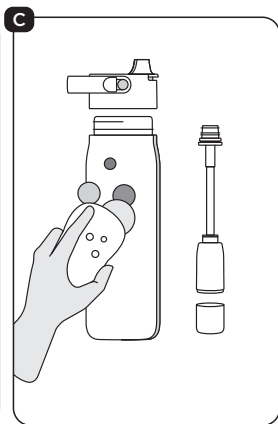
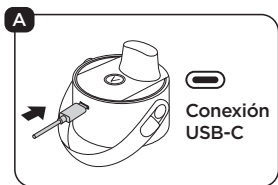
PT

1 - Tecnologia de rastreamento inteligente

2 - PureVis UV-C LED

3 - Conexão USB-C

4 - Bloqueio de pega



INFORMAÇÕES DE SEGURANÇA IMPORTANTES

Leia todas as instruções do produto e as informações de segurança contidas neste manual de instruções antes de o utilizar e siga as instruções durante a utilização. A utilização incorreta pode provocar ferimentos.

IMPORTANTE – O produto não é adequado para as crianças. O produto contém componentes pequenos que podem ser perigosos para as crianças e especialmente para crianças com menos de 3 anos de idade. Mantenha o produto, em especial a tampa eletrónica com o conjunto da luz UV-C e bateria, fora do alcance das crianças.

PERIGO – Radiação ultravioleta. Nunca olhe diretamente para a luz. A luz ultravioleta direta pode causar irritação nos olhos e na pele e pode ser potencialmente prejudicial.

A LARQ iQ Cap só pode ser utilizada com a garrafa LARQ iQ ou LARQ Essential, a luz UV-C só foi testada em combinação com as garrafas LARQ iQ e LARQ Essential. A BRITA não pode garantir a eficácia da aplicação se a LARQ iQ Cap for utilizada com um sistema de garrafas alternativo que não tenha sido testado.

AVISO! O produto contém um LED UV RG-3 que emite radiação UV. Evite o contacto com os olhos e a pele se a lâmpada não estiver protegida. Risco de lesões na pele ou nos olhos.

Atenção! Desligar a luz UV antes de abrir! A luz UV não deve ser ligada se a tampa não estiver enroscada na garrafa.

A LARQ iQ Cap não deve ser aberta, manipulada ou modificada. Se a garrafa ou um dos componentes não funcionar como o esperado ou estiver defeituoso, deve parar de utilizar imediatamente. O aparelho não deve ser reparado sem autorização. Particularmente, o LED UV só pode ser reparado por um técnico qualificado.

A LARQ iQ Cap com luz UV-C é um aparelho elétrico. Não abra, exponha, modifique ou toque nos circuitos internos, pois pode provocar um choque elétrico.

A remoção ou adulteração da placa de circuitos eletrónicos do conjunto da luz UV-C pode provocar ferimentos em pessoas ou danos no produto e anulará todas as garantias.

Para evitar o perigo ou choque elétrico, guarde este produto longe da chuva e de líquidos. Não utilize o carregador perto de água, por exemplo, perto de uma banheira, lavatório, lavalouça, tanque de lavar roupa ou piscina.

Limpe a parte exterior do produto com um pano limpo e húmido. Nunca utilize sprays ou líquidos de limpeza fortes ou produtos químicos semelhantes.

Quando limpar a tampa LARQ iQ, certifique-se de que a porta USB-C na tampa está protegida com a sua mão, para que a água não penetre durante a limpeza.

Ao carregar, ligue o adaptador apenas como descrito nas instruções de utilização. Apenas adultos devem colocar a bateria a carregar. Não carregue o aparelho com um cabo USB que não seja o cabo USB fornecido com o seu LARQ iQ.

ATENÇÃO! O aparelho pode sobreaquecer se a tensão de carregamento for demasiado elevada (superior a 5 V). Existe o perigo de incêndio e de queimaduras em caso de contacto com a pele. Desligue o aparelho da alimentação elétrica, deixe arrefecer de forma controlada e descarteo adequadamente.

ATENÇÃO! Não retire a tampa enquanto o ciclo de luz UV-C estiver a decorrer. Se a tampa for retirada durante um ciclo de limpeza sem primeiro cancelar o mesmo, o LARQ iQ ativa o modo de segurança. No modo de segurança, a luz LED UV passa para um estado de funcionamento seguro para os seres humanos durante o resto do ciclo.

Para cancelar um ciclo de limpeza, prima primeiro o botão na parte superior da tampa e, em seguida, retire cuidadosamente a tampa.

Não utilize a LARQ iQ Cap como uma fonte de luz.

Não exponha o produto a temperaturas abaixo de zero ou acima de 32 °C de temperatura exterior.

Não utilize a LARQ iQ Cap em recipientes como, por exemplo, provetas de laboratório.

A luz UV-C da LARQ iQ Cap não foi concebida para desinfetar a água no rebordo ou nas superfícies exteriores da garrafa ou da tampa onde a luz não consegue alcançar. Não foi concebida para desinfetar superfícies exteriores de um recipiente utilizado para

beber, incluindo as superfícies que normalmente estão em contacto com a boca durante o consumo. Certifique-se de que a garrafa e a tampa foram devidamente limpas antes da utilização.

Tal como acontece com qualquer sistema de tratamento de água, deve ter sempre um método alternativo de tratamento de água. Evite o contacto da radiação UV-C com os olhos e a pele e certifique-se de que não incide sobre pessoas ou animais. Não utilize o aparelho se a LARQ iQ Cap ou o conjunto da luz UV-C estiver rachado, lascado ou danificado. Contacte a BRITA para obter mais informações sobre o descarte ou devolução do produto. Apesar de terem sido efetuados testes microbiológicos cuidadosamente controlados, a utilização da luz UV-C da LARQ iQ Cap pelos consumidores no local pode conduzir a resultados que se desviam dos dados dos testes laboratoriais.

DECLARAÇÃO DE CONFORMIDADE

A BRITA SE declara que o emissor de rádio do tipo BRITA LARQ iQ está em conformidade com a Diretiva 2014/53/UE. O texto completo da Declaração de Conformidade da UE está disponível mediante pedido.

ESPECIFICAÇÕES TÉCNICAS

Modelo	680 ml	1000 ml
Dimensões (mm)	Ø 74.5 x 254	Ø 83 x 288
Peso (g)	376	439
Modelo	iQ Cap	
Rádio	Banda de frequência	2.4 GHz (2402 - 2480 MHz)
	Max. Potência de saída de transmissão RF (RF TX)	-0.48 mW (-3.23 dBm)
	Valores de referência	0.475 mW (-3.23 dBm) @ 2402 MHz 0.411 mW (-3.86 dBm) @ 2480 MHz
	EIRP (EU max. limite)	< 10 dBm
Segurança	Classe de proteção	III
Bateria	Fabricante	HuNan Grand-Pro Tech Co., Ltd.
	Endereço	Cruzamento da Shihu Ave com a Linjing 2nd Rd, Suxian District, 423000 Chenzhou, Hunan, REPÚBLICA POPULAR DA CHINA
	Web	grand-pro.com
	E-mail	grand-pro@grand-pro.com
	Tipo	Bateria de íões de lítio recarregável
	Modelo	PL902037 (1ICP9/21/38)
	Tensão	3.7 V DC
	Capacidade (nominal)	700 mAh
	Energia	2.59 Wh
	Peso (aprox.)	13 g
	Química	LiCoO ₂ , Grafite, LiPF ₆
	Fábrica	Além de Chizhou Grande convés Industry Co., Ltd. (ID: 089687)
	Endereço	Cruzamento da Shihu Ave com a Linjing 2nd Rd, Suxian District, 423000 Chenzhou, Hunan, REPÚBLICA POPULAR DA CHINA
	Data de fabrico	Ver placa de identificação da bateria (AAAAMMDD)
	Número de lote	Ver placa de identificação da bateria (AAAAMMDDD)
	Outras substâncias perigosas que não Hg/Cd/Pb	não aplicável
Agente de extinção utilizável	Dióxido de carbono (CO ₂) ou extintor de incêndio químico seco	
Matérias-primas críticas >0,1 %(p/p)	não aplicável	

ANTES DA PRIMEIRA UTILIZAÇÃO

A Carregar a garrafa

Ligue o cabo de carregamento USB-C incluído no material da entrega para carregar. Atenção: Utilize apenas fontes de alimentação USB com uma tensão de saída de 5 V. Quando a tampa se ilumina, a garrafa BRITA LARQ iQ está pronta para ser utilizada. A bateria recarregável está completamente carregada quando a luz verde fica acesa continuamente.

B Descarregue a aplicação BRITA

Siga as instruções na aplicação e defina o seu perfil de consumo pessoal.

C Limpeza e higiene

Limpe a garrafa, a tampa e a palhinha (incluindo o adaptador) com um produto de limpeza suave. Quando limpar a tampa LARQ iQ, certifique-se de que a porta USB-C na tampa está protegida com a sua mão, para que a água não penetre durante a limpeza.

A tampa não pode ser lavada na máquina de lavar louça.

D MANUSEIO DO FILTRO

- 1 Coloque o filtro sob água fria e corrente durante 10 segundos.
- 2 Introduza o filtro na caixa com a abertura virada para a palhinha.
- 3 Feche e aperte a parte inferior da caixa, utilize o adaptador para fixar a palhinha na tampa.
- 4 Respeite o nível máximo da capacidade de água para garantir um funcionamento ideal. A garrafa não é adequada para utilização com água quente.

⚠ ENCHER A GARRAFA

Não utilize água quente.

Utilize apenas água da torneira com qualidade de água potável, sem sedimentos. Não utilize água com gás.

MEDIÇÃO DA INGESTÃO DE LÍQUIDOS

Para poder determinar com exatidão a ingestão de líquidos, coloque a garrafa fechada, com a tampa colocada, sobre uma superfície plana depois de beber ou encher. Uma luz branca acende-se num espaço de 5 segundos após a medição da quantidade de água.

DEFINIÇÕES

E Modo UV-C PureVis

- 1 Prima o λ uma vez: Modo normal (luz azul pulsante).

- 2 Prima o botão λ duas vezes: Limpeza potente (luz azul intermitente).
- 3 A luz UV-C inicia automaticamente o modo de autolimpeza a cada duas horas.

Hidratação

Controlo da hidratação – luz branca pulsante.

Lembrete de bebida – luz branca intermitente.

O controlo da hidratação funciona melhor se colocar a garrafa numa superfície plana depois de beber ou encher.

Uma luz branca acendese num espaço de 5 segundos após a medição da quantidade de água.

Estado da bateria

Bateria fraca – luz verde pisca duas vezes antes de cada modo UV-C PureVis.

A carregar – luz verde pulsante. Totalmente carregada – luz verde acesa permanente.

Mensagem de erro

A tampa não está enroscada – luz laranja acesa permanentemente.

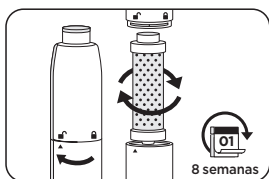
A água está demasiado quente – luz laranja pulsante.

Problema com a bateria – luz violeta pulsante. Problema grave – luz vermelha pulsante. Entre em contacto em www.brita.net.

CUIDADOS E MANUTENÇÃO

Substituição do filtro

Um filtro pode filtrar até 150 litros de água. Recomendamos a substituição do filtro pelo menos a cada 8 semanas. Filtros usados podem ser descartados juntamente com o lixo doméstico.



LIMPEZA

Limpe a garrafa, a tampa e a palhinha (incluindo o adaptador) semanalmente com um agente de limpeza suave. Enxague a garrafa com água morna e sabão pelo menos uma vez por mês.

A tampa e o filtro não podem ser lavados na máquina de lavar louça.



ELIMINAÇÃO

O símbolo do “caixote do lixo barrado com uma cruz” indica a eliminação separada dos aparelhos elétricos e eletrónicos em fim de vida (REEE). Os aparelhos elétricos e eletrónicos podem conter substâncias valiosas, mas perigosas e prejudiciais para o ambiente. A LARQ iQ Cap contém uma bateria recarregável de polímero de lítio. Não descarte a LARQ iQ Cap como lixo doméstico. Existe um sistema de recolha de sucata elétrica e de aparelhos como a tampa LARQ iQ. Respeite todos os regulamentos e requisitos legais aplicáveis à eliminação de componentes eletrónicos e leve a tampa ao ponto de recolha designado para produtos eletrónicos. O descarte em conformidade garante que os resíduos e aparelhos eletrónicos são corretamente reciclados e reutilizados. Descarte o LARQ iQ/a LARQ iQ Cap e o LARQ Filter de forma responsável, de acordo com os regulamentos locais. Certifique-se de que o LARQ Filter não está danificado.

NOTAS IMPORTANTES

O LARQ iQ e a LARQ iQ Cap só podem ser utilizados com água fria da torneira, tratada a nível municipal, fornecida pela autoridade local da água. Esta água é constantemente monitorizada e potável de acordo com os regulamentos legais. Não utilize com água de qualidade desconhecida. Dependendo da origem da água, pode ser necessário tomar precauções adicionais ao utilizar o LARQ iQ/a LARQ iQ Cap para garantir a fiabilidade da água. Se as autoridades tiverem notificado o público de que a água da torneira deve ser fervida, então a água otimizada com o LARQ iQ/a LARQ iQ Cap também deve ser fervida. Assim que as instruções sobre a fervura da água deixarem de se aplicar, limpe minuciosamente o LARQ iQ/a LARQ iQ Cap e insira um novo LARQ Filter. A fervura da água da torneira é geralmente recomendada para bebés e pessoas com um sistema imunitário fraco. A água é um género alimentício destinado ao consumo humano.

Por isso, deve esgotar a água da garrafa no prazo de um dia. Se não utilizar o LARQ iQ/a LARQ iQ Cap durante um longo período de tempo, desenrosque a garrafa e guarde as peças individuais num local seco.

Guarde sempre os filtros suplentes num local fresco e seco, num recipiente bem fechado. O filtro é um produto natural, o que pode implicar uma ligeira abrasão de pequenas partículas de carbono, tanto na embalagem como na água filtrada. Estas partículas não

afetam a sua saúde e não são perigosas se ingeridas. Se encontrar partículas de carbono na sua água filtrada, recomendamos que lave o filtro minuciosamente por todos os lados.

A filtração provoca inicialmente um ligeiro aumento de teor de potássio na água. Isto é inofensivo (por exemplo, 1 litro de água filtrada BRITA contém menos potássio do que uma maçã). Se sofre de uma doença renal e/ou tem de seguir uma dieta especial de potássio, fale antecipadamente com o seu médico sobre a utilização de um filtro de água BRITA.

Isenção de responsabilidade

A utilização do produto é feita por sua conta e risco. Considerase que o consumidor está a utilizar o produto voluntariamente e com pleno conhecimento de que existem riscos inerentes e/ou associados, e que assume e aceita todos os riscos que possam estar associados ou resultar da posse ou utilização do produto.

Tem alguma dúvida?

Visitenos em www.brita.net

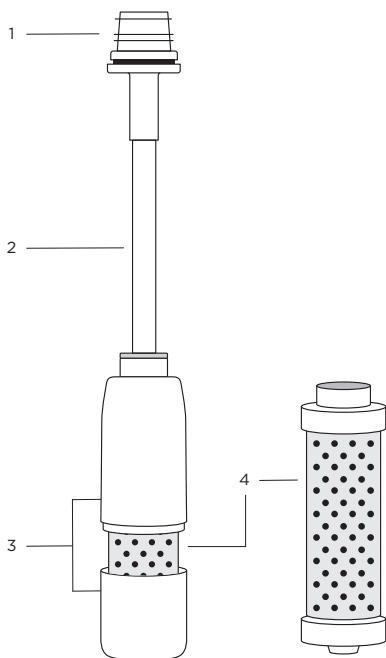


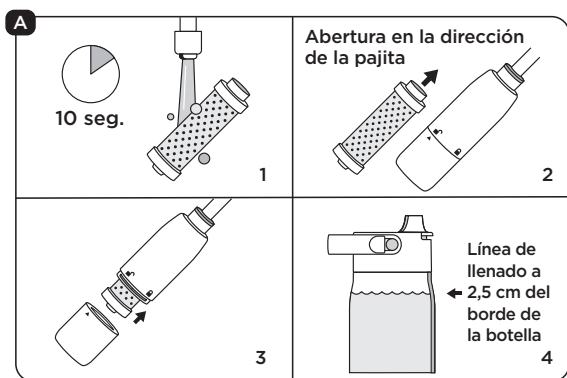
USB-C 5V=700mAh
IPX7

LARQ Filter / LARQ Filter Upgrade Kit

PT

- 1 - Adaptador
- 2 - Palhinha
- 3 - Caixa do filtro
- 4 - LARQ Filter





INFORMAÇÕES DE SEGURANÇA IMPORTANTES

Leia todas as instruções do produto e as informações de segurança contidas neste manual de instruções antes de o utilizar e siga as instruções durante a utilização. A utilização indevida pode provocar ferimentos.

IMPORTANTE – O produto não é adequado para as crianças. O produto contém componentes pequenos que podem ser perigosos para as crianças e especialmente para crianças com menos de 3 anos de idade. Mantenha o produto fora do alcance das crianças.

Limpe a parte exterior do produto com um pano limpo e húmido. Nunca utilize sprays ou líquidos de limpeza fortes ou produtos químicos semelhantes.

Não exponha o produto a temperaturas abaixo de zero ou acima de 32 °C de temperatura exterior.

Tal como acontece com qualquer sistema de tratamento de água, deve ter sempre um método alternativo de tratamento de água.

LIMPEZA ANTES DA PRIMEIRA UTILIZAÇÃO

Limpe a palhinha (incluindo o adaptador) com um produto de limpeza suave. Os componentes do kit de substituição do filtro (com exceção do filtro) podem ser lavados na máquina de lavar louça.

A MANUSEIO DO FILTRO

- 1 Coloque o filtro sob água fria e corrente durante 10 segundos.
- 2 Introduza o filtro na caixa com a abertura virada para a palhinha.
- 3 Feche e aperte a parte inferior da caixa, utilize o adaptador para fixar a palhinha na tampa.
- 4 Respeite o nível máximo da capacidade de água para garantir um funcionamento ideal. A garrafa não é adequada para utilização com água quente.

⚠ ENCHER A GARRAFA

Não utilize água quente.

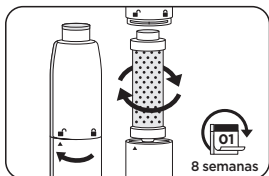
Utilize apenas água da torneira com qualidade de água potável, sem sedimentos.

Não utilize água com gás.

CUIDADOS E MANUTENÇÃO

Substituição de filtro

Um filtro pode filtrar até 150 litros de água. Recomendamos a substituição do filtro pelo menos a cada 8 semanas. Filtros usados podem ser descartados juntamente com o lixo doméstico.



Limpeza

Limpe a palhinha (incluindo o adaptador) com um produto de limpeza suave. Os componentes do kit de substituição do filtro (com exceção do filtro) podem ser lavados na máquina de lavar louça.

ELIMINAÇÃO

Descarte o LARQ Filter de forma responsável e de acordo com os regulamentos locais. Certifique-se de que o LARQ Filter não está danificado.

NOTAS IMPORTANTES

O LARQ Filter só pode ser utilizado com água fria da torneira, tratada a nível municipal, fornecida pela autoridade local da água. Esta água é constantemente monitorizada e potável de acordo com os regulamentos legais. Não utilize com água de qualidade desconhecida. Dependendo da origem da água, pode ser necessário tomar precauções adicionais ao utilizar o LARQ Filter para garantir a fiabilidade da água. Se as autoridades tiverem notificado o público de que a água da torneira deve ser fervida, então a água otimizada com o LARQ Filter também deve ser fervida.

Assim que as instruções sobre a fervura da água deixarem de se aplicar, limpe minuciosamente a garrafa LARQ e coloque um novo LARQ Filter. A fervura da água da torneira é geralmente recomendada para bebés e pessoas com um sistema imunitário fraco. A água é um género alimentício destinado ao consumo humano. Por isso, deve esgotar a água da garrafa no prazo de um dia. Se não utilizar a garrafa LARQ durante um longo período de tempo, desenrosque a garrafa e guarde as peças individuais num local seco.

Guarde sempre os filtros suplentes num local fresco e seco, num recipiente bem fechado. O filtro é um produto natural, o que pode implicar uma ligeira abrasão de pequenas partículas de carbono, tanto na embalagem como na água filtrada. Estas partículas não afetam a sua saúde e não são perigosas se ingeridas. Se encontrar partículas de carbono na sua água filtrada, recomendamos que lave o filtro minuciosamente por todos os lados.

A filtração provoca inicialmente um ligeiro aumento de teor de potássio na água. Isto é inofensivo (por exemplo, 1 litro de água filtrada BRITA contém menos potássio do que uma maçã). Se sofre de uma doença renal e/ou tem de seguir uma dieta especial de potássio, fale antecipadamente com o seu médico sobre a utilização de um filtro de água BRITA.

Isenção de responsabilidade

A utilização do produto é feita por sua conta e risco. Considerase que o consumidor está a utilizar o produto voluntariamente e com pleno conhecimento de que existem riscos inerentes e/ou associados, e que assume e aceita todos os riscos que possam estar associados ou resultar da posse ou utilização do produto.

Tem alguma dúvida?

Visitenos em www.brita.net



Fabricante: BRITA SE, Heinz-Hankammer-Straße 1, D-65232 Taunusstein, Germany,
Tel.: +49 800 500 19 19, www.brita.net

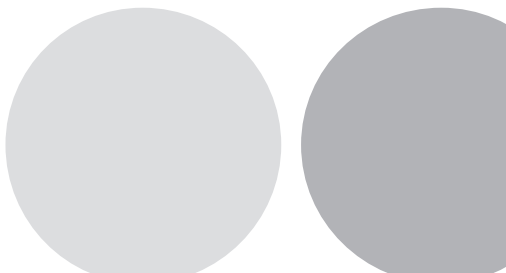
Distribuido por: BRITA Iberia S.L.U., Carrer de Valencia, 307, 2^a 4^a, 08009 Barcelona



LARQ

Kullanım bilgileri

LARQ Essential, LARQ iQ / LARQ iQ Cap,
LARQ Filter / LARQ Filter Upgrade Kit





İçindekiler

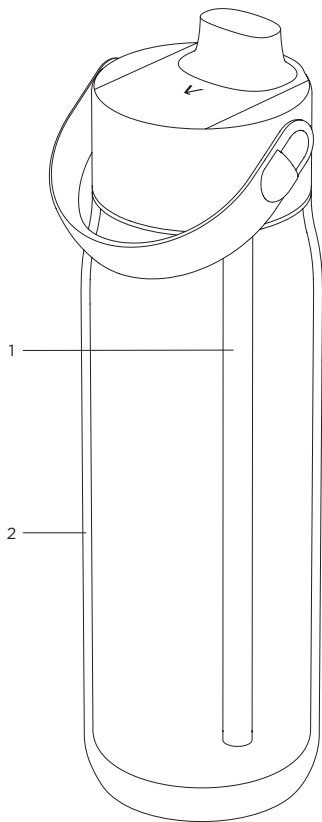
LARQ Essential _____	178
LARQ iQ / LARQ iQ Cap _____	181
LARQ Filter / LARQ Filter Upgrade Kit _____	192

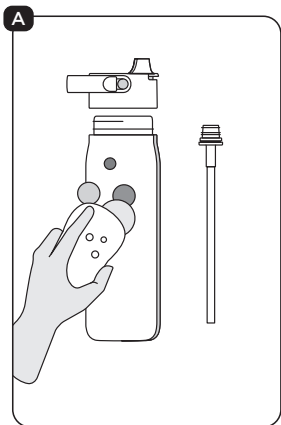
LARQ Essential

TR

1 - Pipet

2 - Çift katmanlı yalıtımlı
paslanmaz çelik





ÖNEMLİ GÜVENLİK BİLGİLERİ

Kullanmadan önce bu kullanım talimatlarındaki tüm ürün talimatlarını ve güvenlik bilgilerini dikkatlice okuyun ve kullanım sırasında talimatları izleyin. Yanlış kullanım yaralanmalara yol açabilir.

ÖNEMLİ - Bu ürün, çocukların kullanımı için uygun değildir. Ürün, çocuklar ve özellikle 3 yaş altı çocuklar için tehlikeli olabilecek küçük bileşenler içerir. Ürünü çocukların erişemeyeceği yerde saklayın.

Ürünün dışını temiz, nemli bir bezle temizleyin. Asla güçlü temizlik spreyleri, sıvıları veya benzeri kimyasallar kullanmayın.

Ürünü donma noktasının altındaki veya 32 °C'nin üzerindeki dış sıcaklıklara maruz bırakmayın.

A İLK KULLANIMDAN ÖNCE TEMİZLİK

Şişeyi, kapağı ve pipeti (adaptör dahil) hafif bir temizlik maddesiyle temizleyin. Tüm bileşenler bulaşık makinesinde yıkanabilir.

⚠ DOLDURMA

Sıcak su kullanmayın.

Yalnızca tortu içermeyen içme suyu kalitesinde musluk suyu kullanın.

Gazlı içeceklerle kullanmayın.

BAKIM

Şişeyi, kapağı ve pipeti (adaptör dahil) düzenli olarak hafif bir temizlik maddesiyle veya bulaşık makinesinde temizleyin.

İMHA ETME

Lütfen LARQ Essential'ı yerel düzenlemelere uygun olarak, sorumlu bir şekilde imha edin.

ÖNEMLİ NOT

LARQ Essential yalnızca belediye tarafından arıtılmış, yerel su idareniz tarafından sağlanan soğuk musluk suyuyla kullanılabilir. Bu su sürekli olarak takip edilir ve yasal düzenlemelere uygun olarak içilmesi güvenlidir. Bilinmeyen kalitedeki suyla kullanmayın. Su kaynağına bağlı olarak, suyun güvenliğini sağlamak için LARQ Essential kullanırken ek önlemler almak tavsiye edilebilir. Su kaynatma talimatları artık geçerli olmadığında, lütfen LARQ Essential'ı iyice temizleyin. Musluk suyunu kaynatmak, genellikle bebekler ve bağışıklık sistemi zayıf olan kişiler için önerilir. Su, insan tüketimine uygun bir gıda maddesidir. Bu nedenle şişenizdeki suyu bir gün içinde tüketmelisiniz. LARQ Essential'ı uzun süre kullanmazsanız, şişeyi açın ve parçaları kuru bir yerde saklayın.

Sorumluluk reddi

Ürünün kullanımı kendi sorumluluğunuzdadır. Ürünü, gönüllü olarak ve ürünün doğasında var olan ve/veya ilişkili risklerin olduğunu bilerek kullandığınız ve ürünün bulundurulması veya kullanımıyla ilişkili veya bundan kaynaklanabilecek tüm riskleri bildiğiniz ve kabul ettiğiniz kabul edilir.

Bir sorunuz mu var?

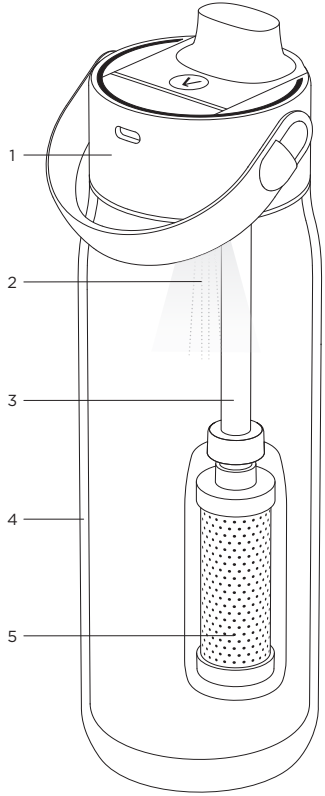
www.brita.net adresini ziyaret edin



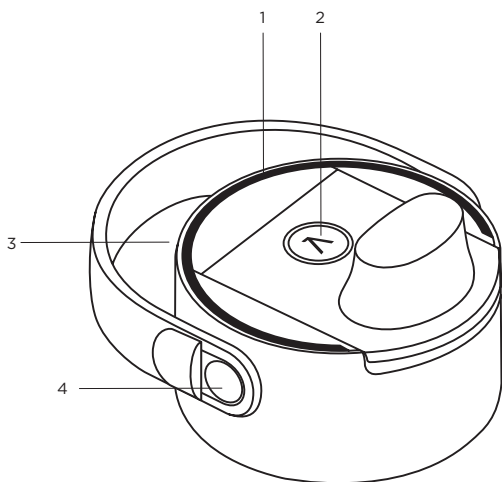
LARQ iQ

TR

- 1 - Kapak
- 2 - PureVis UV-C LED
- 3 - Pipet
- 4 - Paslanmaz çelik şişe, çift katmanlı yalıtımlı
- 5 - LARQ Filter ile filtre yuvası



LARQ iQ Cap



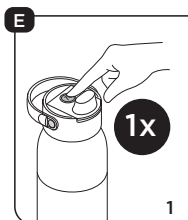
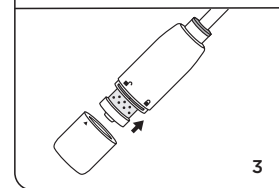
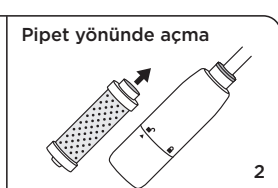
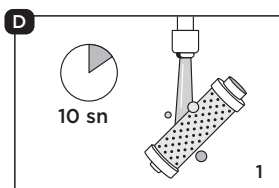
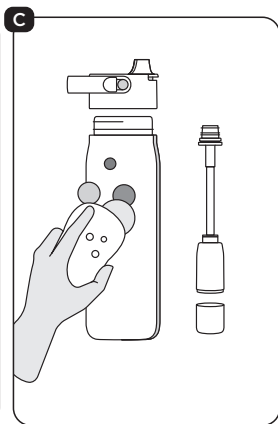
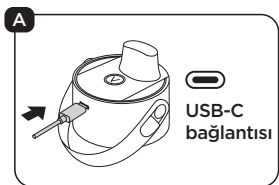
TR

1 - Akıllı izleme teknolojisi

2 - PureVis UV-C LED

3 - USB-C bağlantısı

4 - Sap kilidi



ÖNEMLİ GÜVENLİK BİLGİLERİ

Kullanmadan önce bu kullanım talimatlarındaki tüm ürün talimatlarını ve güvenlik bilgilerini dikkatlice okuyun ve kullanım sırasında talimatları izleyin. Yanlış kullanım yaralanmalara yol açabilir.

ÖNEMLİ - Ürün çocukların kullanımına uygun değildir. Ürün, çocuklar ve özellikle 3 yaş altı çocuklar için tehlikeli olabilecek küçük bileşenler içerir. Ürünü, özellikle de UV-C ışık tertibatı ve pil içeren elektronik kapağı çocukların erişemeyeceği yerlerde saklayın.

TEHLİKE - Ultraviyole radyasyon. Asla ışığa doğrudan bakmayın. Doğrudan ultraviyole ışığa bakmak gözlerde ve ciltte tahrişe neden olabilir ve potansiyel olarak zararlı olabilir.

LARQ iQ Cap yalnızca LARQ iQ veya LARQ Essential şişesiyle kullanılabilir, UV-C ışığı yalnızca LARQ iQ ve LARQ Essential şişeleriyle birlikte test edilmiştir. BRITA, LARQ iQ Cap'in test edilmemiş alternatif bir şişe sistemiyle kullanılması durumunda uygulamanın etkinliğini garanti edemez.

UYARI! Ürün, UV radyasyonu yayan bir RG-3 UV LED içerir. Lamba korumalı değilse göz ve cilt ile temasından kaçınınız. Cilt veya göz yaralanması riski.

Dikkat! Açmadan önce UV ışığı kapatın! Kapak şişeye takılmamışsa UV ışığı açılmamalıdır.

LARQ iQ Cap açılmamalı, değiştirilmemeli veya modifiye edilmemelidir. Şişe veya bileşenlerden biri beklendiği gibi çalışmıyorsa veya arızalıysa, derhal kullanmayı bırakın. Cihaz yetki olmadan tamir edilmemelidir. Özellikle UV LED yalnızca kalifiye bir uzman tarafından tamir edilebilir.

UV-C ışıklı LARQ iQ Cap elektrikli bir cihazdır. Dahili devreleri açmayın, açığa çıkarmayın, modifiye etmeyin veya dokunmayın, çünkü bu, elektrik çarpmasına neden olabilir.

UV-C ışık tertibatının elektronik devre kartını çıkarmak veya kurcalamak, kişilerin yaralanmasına veya ürünün hasar görmesine neden olabilir ve tüm garantileri geçersiz kılar.

Tehlikeyi veya elektrik çarpmasını önlemek için bu ürünü yağmurdan ve sıvılardan uzak tutun. Şarj cihazını küvet, lavabo, mutfak lavabosu, çamaşır teknesi veya yüzme havuzu gibi su bulunan yerlerin yakınında kullanmayın.

Ürünün dışını temiz, nemli bir bezle temizleyin. Asla güçlü temizlik spreyleri, sıvıları veya benzeri kimyasallar kullanmayın.

LARQ iQ Cap'i temizlerken, temizlik sırasında su girmemesi için kapaktaki USB-C bağlantı noktasının elinizle kapatıldığından emin olun.

Şarj ederken, adaptörü yalnızca kullanım talimatlarında açıklandığı şekilde bağlayın. Pili yalnızca yetişkinler şarj etmelidir. Cihazı, LARQ iQ'nuzla birlikte verilen USB kablosu dışında bir USB kabloyla şarj etmeyin.

DİKKAT! Şarj voltajı çok yüksekse (5 V'un üzerindeyse) cihaz aşırı ısınabilir. Yangın ve ciltle teması halinde yanık tehlikesi vardır. Cihazı güç kaynağından ayırın, kontrollü bir şekilde soğumasını bekleyin ve uygun şekilde imha edin.

DİKKAT! UV-C ışık döngüsü çalışırken kapağı çıkarmayın. Kapak, temizlik döngüsünü iptal etmeden, döngü sırasında çıkarılırsa, LARQ iQ bir güvenlik modunu etkinleştirir. Güvenlik modunda, UV LED ışığı döngünün geri kalanında insanlar için güvenli olduğu bir çalışma durumuna geçer.

Bir temizleme döngüsünü iptal etmek için önce kapağın üstündeki düğmeye basın ve ardından kapağı dikkatlice çıkarın.

LARQ iQ Cap'i ışık kaynağı olarak kullanmayın.

Ürünü donma noktasının altındaki veya 32 °C'nin üzerindeki dış sıcaklıklara maruz bırakmayın.

LARQ iQ Cap'i laboratuvar beherleri gibi kaplarda çalıştırmayın.

LARQ iQ Cap'in UV-C ışığı, ışığın ulaşamadığı şişenin veya kapağın ağız kısmındaki veya dış yüzeylerindeki suyu dezenfekte etmek için tasarlanmamıştır. İçme sırasında ağızla temas eden yüzeyler dahil olmak üzere bir içecek kabının dış yüzeylerini dezenfekte etmek için tasarlanmamıştır. Kullanmadan önce şişenin ve kapağın düzgün bir şekilde temizlendiğinden emin olun.

Herhangi bir su arıtma sisteminde olduğu gibi, her zaman alternatif bir su arıtma yönteminiz olmalıdır.

UV-C radyasyonunun göz ve cilt ile temasından kaçının ve bunun insanlara veya hayvanlara zarar vermediğinden emin olun. LARQ iQ Cap veya UV-C ışık tertibatı çatlamış, kırılmış veya hasarlıysa cihazı çalıştırmayın. Uygun imha veya iade hakkında daha fazla bilgi için lütfen BRITA ile iletişime geçin. Dikkatlice kontrol edilen mikrobiyolojik testler gerçekleştirilmiş olsa da, LARQ iQ Cap'in UV-C ışığının tüketiciler tarafından yerinde kullanılması, laboratuvar test verilerinden farklı sonuçlara yol açabilir.

UYGUNLUK BEYANI

BRITA SE, BRITA LARQ iQ radyo emitter tipinin 2014 / 53 / EU Direktifine uygun olduğunu beyan eder. AB Uygunluk Beyanının tam metni talep üzerine mevcuttur.

TEKNİK ÖZELLİKLER

Model	680 ml	1000 ml
Boyutlar (mm)	Ø 74.5 x 254	Ø 83 x 288
Ağırlık (g)	376	439
Model	iQ Cap	
Radyo	Frekans bandı	2.4 GHz (2402 - 2480 MHz)
	Maks. RF iletim çıkış gücü (RF Tx)	-0.48 mW (-3.23 dBm)
	Referans değerler	0.475 mW (-3.23 dBm) @ 2402 MHz 0.411 mW (-3.86 dBm) @ 2480 MHz
	EIRP (AB maks. sınır)	< 10 dBm
Güvenlik	Koruma sınıfı	III
Pil	Üretici	HuNan Grand-Pro Tech Co., Ltd.
	Adres	Shihu Ave, Linjing 2nd Rd, 423000 Suxian, Chenzhou, Hunan, ÇİN HALK CUMHURİYETİ
	Web	grand-pro.com
	E-posta	grand-pro@grand-pro.com
	Tip	Şarj edilebilir Lityum-iyon Pil Paketi
	Model	PL902037 (1ICP9/21/38)
	Voltaj	3.7 V DC
	Kapasite (nominal)	700 mAh
	Enerji	2.59 Wh
	Ağırlık (yaklaşık)	13 g
	Kimya	LiCoO ₂ , Grafite, LiPF ₆
	Fabrika	Chenzhou Great Housing Industry Co., Ltd. (ID: 089687)
	Adres	Shihu Ave, Linjing 2nd Rd, 423000 Suxian, Chenzhou, Hunan, ÇİN HALK CUMHURİYETİ
	Üretim tarihi	Batarya bilgi etiketine bakınız. (YYYYAAGG)
	Parti Numarası	Batarya bilgi etiketine bakınız. (YYYYAAGG)
	Hg/Cd/Pb dışındaki tehlike maddeleri	geçerli değil
Kullanılabilir söndürme maddesi	Karbondioksit (CO ₂) veya kuru kimyasal yangın söndürücü	
Kritik hammaddeler > %0.1 (a/a)	geçerli değil	

İLK KULLANIMDAN ÖNCE

A Şişeyi şarj etme

Şarj için ürünle birlikte gelen USB-C şarj kablosunu bağlayın. Dikkat: Yalnızca 5 V çıkış voltajına sahip USB güç kaynaklarını kullanın. Kapaktaki ışık yandığında, BRITA LARQ iQ şişesi kullanıma hazırdır. Yeşil ışık sürekli yandığında şarj edilebilir pil tamamen şarj olmuştur.

B BRITA uygulamasını indirin

Uygulamadaki talimatları izleyin ve kişisel içecek profilinizi ayarlayın.

C Temizlik ve hijyen

Şişeyi, kapağı ve pipeti (adaptör dahil) hafif bir temizlik maddesiyle temizleyin. LARQ iQ Cap'i temizlerken su girmemesi için elinizle, kapağın üzerindeki USB-C portunun kapalı olduğundan emin olun. **Kapak bulaşık makinesinde yıkanmaya uygun değildir.**

D FİLTREYİ DEVREYE ALMA

- 1 Filtreyi 10 saniye boyunca soğuk, akan suyun altında tutun.
- 2 Filtreyi, açıklığı pipete bakacak şekilde yuvaya yerleştirin.
- 3 Yuvanın alt bölümünü kapatın ve sıkın, pipeti kapağa sabitlemek için adaptörü kullanın.
- 4 Optimum işlevselliği sağlamak için maksimum su doldurma seviyesine dikkat edin. Şişe sıcak suyla kullanılmaya uygun değildir.

⚠ DOLDURMA

Sıcak su kullanmayın.

Yalnızca tortu içermeyen içme suyu kalitesinde musluk suyu kullanın. Gazlı içeceklerle kullanmayın.

Sıvı alımını ölçme

Sıvı alımını doğru bir şekilde belirleyebilmek için, içtikten veya doldurduktan sonra kapağı yerinde olan kapalı şişeyi düz bir yüzeye koyun. Su miktarı ölçüldükten sonra 5 saniye içinde beyaz bir ışık yanar.

AYARLAR

E PureVis UV-C modu

- 1 **λ** düğmesine bir kez basın: Normal mod (yanıp sönen mavi ışık).
- 2 **λ** düğmesine iki kez basın: Güçlü temizlik (hızlı yanıp sönen mavi ışık).
- 3 UV-C ışığı her iki saatte bir otomatik olarak kendi kendini temizleme modunu başlatır.

Hidrasyon

Hidrasyon takibi - yanıp sönen beyaz ışık.

İçecek hatırlatıcısı - hızlı yanıp sönen beyaz ışık.

Hidrasyon takibi, içtikten veya doldurduktan sonra şişeyi düz bir yüzeye koyduğunuzda en iyi şekilde çalışır.

Su miktarı ölçüldükten sonra 5 saniye içinde beyaz bir ışık yanar.

PİL DURUMU

Pil şarjı düşük - her PureVis UV-C modundan önce yeşil ışık iki kez yanıp söner.

Şarj oluyor - yanıp sönen yeşil ışık.

Şarj olduğunda - sürekli yanan yeşil ışık.

HATA MESAJI

Kapak takılmamış- sürekli yanan turuncu ışık.

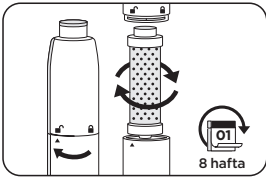
Su çok sıcak - yanıp sönen turuncu ışık.

Pil sorunu - yanıp sönen mor ışık.

Büyük sorun - yanıp sönen kırmızı ışık. Lütfen www.brita.net ile iletişime geçin.

BAKIM VE ONARIM**Filtre değişimi**

Bir filtre 150 litreye kadar suyu filtreleyebilir. Filtreyi en geç 8 haftada bir değiştirmenizi öneririz. Kullanılmış filtreler evsel atık olarak atılabilir.

**Temizlik**

Şişeyi, kapağı ve pipeti (adaptör dahil) haftada bir hafif bir temizlik maddesiyle temizleyin. Şişeyi en geç ayda bir kez ılık sabunlu suyla durulayın. Kapak ve filtre bulaşık makinesinde yıkanmaya uygun değildir.

**İMHA ETME**

„Üzeri çizilmiş çöp kutusu“ sembolü, kullanım ömrü sona eren elektrikli ve elektronik cihazların (WEEE) ayrı olarak atılması gerektiğini belirtir. Elektrikli ve elektronik cihazlar değerli, ancak tehlikeli ve çevreye zararlı maddeler içerebilir. LARQ iQ Cap, şarj edilebilir bir lityum polimer pil içerir. LARQ iQ Cap'ı evsel atık olarak atmayın. LARQ iQ Cap gibi elektrikli hurdalar ve cihazlar için bir toplama sistemi vardır. Elektronik bileşenlerin atılması için geçerli tüm yönetmeliklere ve yasal gerekliliklere uyun ve kapağı elektronik ürünler için belirlenmiş toplama noktasına götürün. Uyumlu imha etme elektronik atıkların ve cihazların doğru şekilde geri dönüştürülmesini ve yeniden kullanılmasını sağlar. Lütfen LARQ iQ / LARQ iQ Cap'ı ve LARQ Filter'ı yerel yönetmeliklere uygun olarak duyarlı bir şekilde imha edin LARQ Filter'ın hasarsız olduğundan emin olun.

ÖNEMLİ NOTLAR

LARQ iQ/LARQ iQ Cap yalnızca belediye tarafından arıtılmış, yerel su idareniz tarafından sağlanan soğuk musluk suyuyla kullanılabilir. Bu su sürekli olarak takip edilir ve yasal düzenlemelere uygun olarak içilmesi güvenlidir. Bilinmeyen kalitedeki suyla kullanmayın. Su kaynağına bağlı olarak, suyun güvenliğini sağlamak için LARQ iQ / LARQ iQ Cap'ı kullanırken ek önlemler almak tavsiye edilebilir. Yetkililer halka musluk suyunun kaynatılması gerektiğini bildirmişse, LARQ iQ / LARQ iQ Cap ile optimize edilmiş su da kaynatılmalıdır. Su kaynatma talimatları artık geçerli olmadığında, lütfen LARQ iQ / LARQ iQ Cap'ı iyice temizleyin ve yeni bir LARQ Filter takın. Musluk suyunu kaynatmak, genellikle bebekler ve bağışıklık sistemi zayıf olan kişiler için önerilir. Su, insan tüketimine uygun bir gıda maddesidir.

Bu nedenle şişenizdeki suyu bir gün içinde tüketmelisiniz. LARQ iQ / LARQ iQ Cap'ı uzun süre kullanmayacaksanız, şişeyi sökün ve parçaları kuru bir yerde saklayın.

Yedek filtreleri her zaman sıkıca kapatılmış bir kapta serin ve kuru bir yerde saklayın. Filtre doğal bir üründür; bu, hem ambalajda hem de filtrelenmiş suda, hafifçe aşınmış küçük karbon parçacıklarının olması anlamına gelebilir. Bu parçacıklar sağlığını etkilemez ve yutulduğunda tehlikeli değildir. Filtrelenmiş suyunuzda karbon parçacıkları bulursanız, filtrenin her tarafını iyice durulamanızı öneririz.

Filtreleme başlangıçta suyun potasyum içeriğinde hafif bir artışa neden olur. Bu zararsızdır (örneğin, 1 litre BRITA ile filtrelenmiş su, bir elmadan daha az potasyum içerir). Böbrek hastalığınız varsa ve/veya özel bir potasyum diyeti uygulamanız gerekiyorsa, lütfen BRITA su filtresinin kullanımını önceden doktorunuzla görüşün.

Sorumluluk reddi

Ürünün kullanımı kendi sorumluluğunuzdadır. Ürünü, gönüllü olarak ve ürünün doğasında var olan ve/veya ilişkili risklerin olduğunu bilerek kullandığınız ve ürünün bulundurulması veya kullanımıyla ilişkili veya bundan kaynaklanabilecek tüm riskleri bildiğiniz ve kabul ettiğiniz kabul edilir.

Bir sorunuz mu var?

www.brita.net adresini ziyaret edin

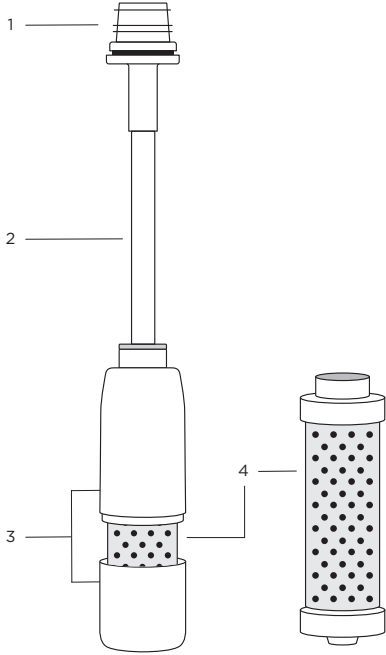


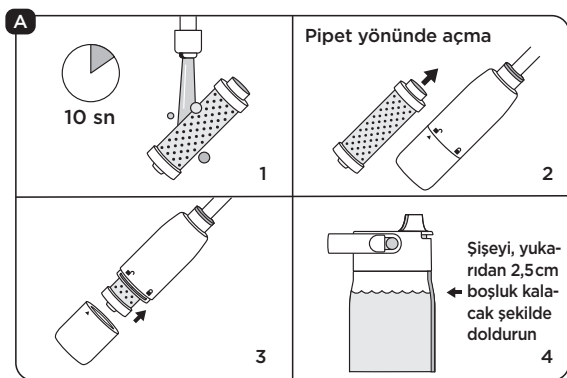
USB-C 5V=700mAh
IPX7

LARQ Filter / LARQ Filter Upgrade Kit

TR

- 1 - Adaptör
- 2 - Pipet
- 3 - Filtre yuvası
- 4 - LARQ Filter





ÖNEMLİ GÜVENLİK BİLGİLERİ

Kullanmadan önce bu kullanım talimatlarındaki tüm ürün talimatlarını ve güvenlik bilgilerini dikkatlice okuyun ve kullanım sırasında talimatları izleyin. Amacı dışında kullanım yaralanmalara yol açabilir.

ÖNEMLİ - Ürün çocukların kullanımına uygun değildir. Ürün, çocuklar ve özellikle 3 yaş altı çocuklar için tehlikeli olabilecek küçük bileşenler içerir. Ürünü çocukların erişemeyeceği yerde saklayın.

Ürünün dışını temiz, nemli bir bezle temizleyin. Asla güçlü temizlik spreyleri, sıvıları veya benzeri kimyasallar kullanmayın.

Ürünü donma noktasının altındaki veya 32 °C'nin üzerindeki dış sıcaklıklara maruz bırakmayın.

Herhangi bir su arıtma sisteminde olduğu gibi, her zaman alternatif bir su arıtma yönteminiz olmalıdır.

İLK KULLANIMDAN ÖNCE TEMİZLİK

Pipeti (adaptör dahil) hafif bir temizlik maddesiyle temizleyin.

Filtre yükseltme kitinin bileşenleri (filtre hariç) bulaşık makinesinde yıkanabilir.

A FİLTREYİ AKTİFLEŞTİRME

- 1 Filtreyi 10 saniye boyunca soğuk, akan suyun altında tutun.
- 2 Filtreyi, açıklığı pipete bakacak şekilde yuvaya yerleştirin.
- 3 Yuvanın alt bölümünü kapatın ve sıkın, pipeti kapağa sabitlemek için adaptörü kullanın.
- 4 Optimum işlevselliği sağlamak için maksimum su doldurma seviyesine dikkat edin. Şişe sıcak suyla kullanılmaya uygun değildir.

⚠ DOLDURMA

Sıcak su kullanmayın.

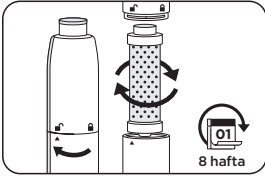
Yalnızca tortu içermeyen içme suyu kalitesinde musluk suyu kullanın.

Gazlı içeceklerle kullanmayın.

BAKIM VE ONARIM

Filtre değişimi

Bir filtre 150 litreye kadar suyu filtreleyebilir. Filtreyi en geç 8 haftada bir değiştirmenizi öneririz. Kullanılmış filtreler evsel atık olarak atılabilir.



TEMİZLİK

Pipeti (adaptör dahil) hafif bir temizlik maddesiyle temizleyin.

Filtre yükseltme kitinin bileşenleri (filtre hariç) bulaşık makinesinde yıkanabilir.

İMHA ETME

Lütfen LARQ Filter'ı yerel düzenlemelere uygun olarak, duyarlı bir şekilde atın. LARQ Filter'ın hasarsız olduğundan emin olun.

ÖNEMLİ NOTLAR

LARQ Filter, yalnızca belediye tarafından arıtılmış, yerel su idareniz tarafından sağlanan soğuk musluk suyuyla kullanılabilir. Bu su sürekli olarak takip edilir ve yasal düzenlemelere uygun olarak içilmesi güvenlidir. Bilinmeyen kalitedeki suyla kullanmayın. Su kaynağına bağlı olarak, suyun güvenliğini sağlamak için LARQ Filter kullanırken ek önlemler almak tavsiye edilebilir. Yetkililer halka musluk suyunun kaynatılması gerektiğini bildirmişse, LARQ Filter ile optimize edilmiş su da kaynatılmalıdır.

Su kaynatma talimatları artık geçerli olmadığında, lütfen LARQ şişesini iyice temizleyin ve yeni bir LARQ Filter takın. Musluk suyunu kaynatmak, genellikle bebekler ve bağırsıklık sistemi zayıf olan kişiler için önerilir. Su, insan tüketimine uygun bir gıda maddesidir. Bu nedenle şişenizdeki suyu bir gün içinde tüketmelisiniz. LARQ şişesini uzun süre kullanmayacaksınız, şişeyi sökün ve parçaları kuru bir yerde saklayın.

Yedek filtreleri her zaman sıkıca kapatılmış bir kapta serin ve kuru bir yerde saklayın. Filtre doğal bir üründür; bu, hem ambalajda hem de filtrelenmiş suda, hafifçe aşınmış küçük karbon parçacıklarının olması anlamına gelebilir. Bu parçacıklar sağlığını etkilemez ve yutulduğunda tehlikeli değildir. Filtrelenmiş suyunuzda karbon parçacıkları bulursanız, filtrenin her tarafını iyice durulamanızı öneririz.

Filtreleme başlangıçta suyun potasyum içeriğinde hafif bir artışa neden olur. Bu zararsızdır (örneğin, 1 litre BRITA ile filtrelenmiş su, bir elmadan daha az potasyum içerir). Böbrek hastalığınız varsa ve/veya özel bir potasyum diyeti uygulamanız gerekiyorsa, lütfen BRITA su filtresinin kullanımını önceden doktorunuzla görüşün.

Sorumluluk reddi

Ürünün kullanımı kendi sorumluluğunuzdadır. Ürünü, gönüllü olarak ve ürünün doğasında var olan ve/veya ilişkili risklerin olduğunu bilerek kullandığınız ve ürünün bulundurulması veya kullanımıyla ilişkili veya bundan kaynaklanabilecek tüm riskleri bildiğiniz ve kabul ettiğiniz kabul edilir.

Bir sorunuz mu var?

www.brita.net adresini ziyaret edin



Üretici Firma: BRITA SE, Heinz-Hankammer-Straße 1, D-65232 Taunusstein, Germany,
Tel.: +49 800 500 19 19, www.brita.net

Distribütör: BRITA Turkey Su Çözümleri Limited Şirketi, Küçükbakkalköy Mh. Kayış-
dağı Cd. No:1 Allianz Tower, K:4 D:13, PK:34750 Ataşehir-İstanbul, Türkiye. Müşteri
Hizmetleri: 08504700740